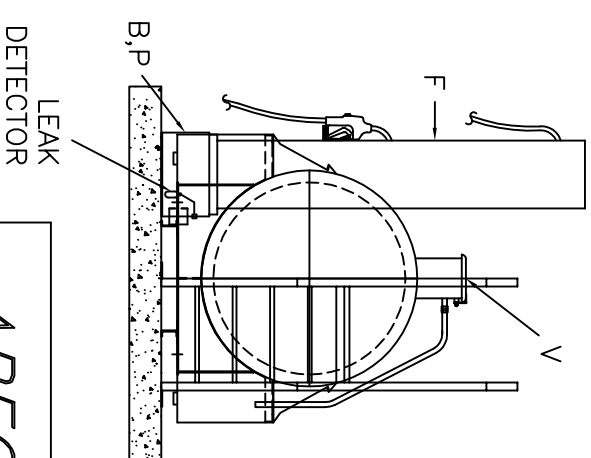
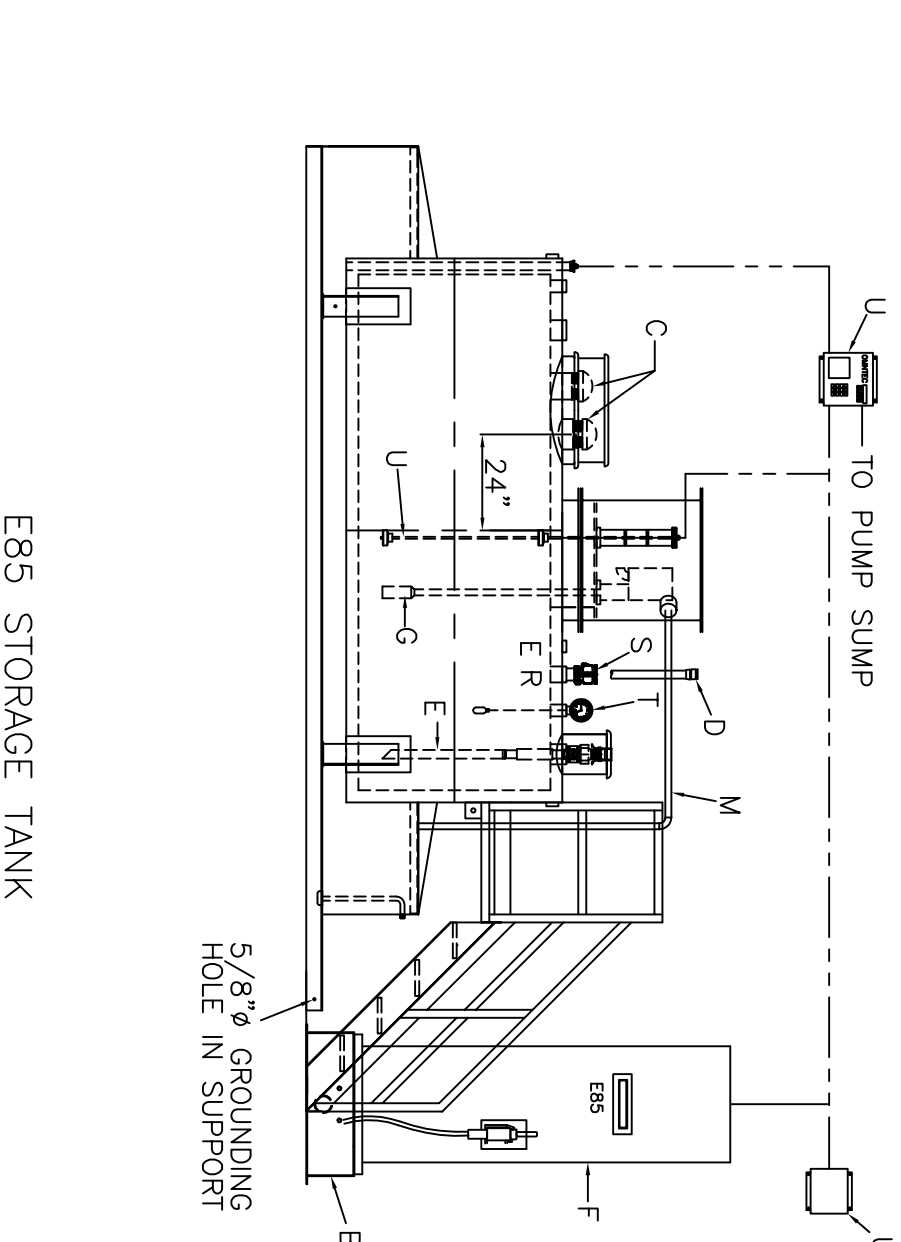
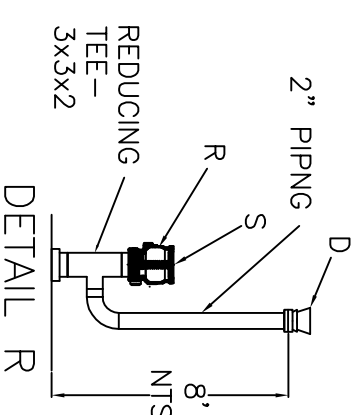
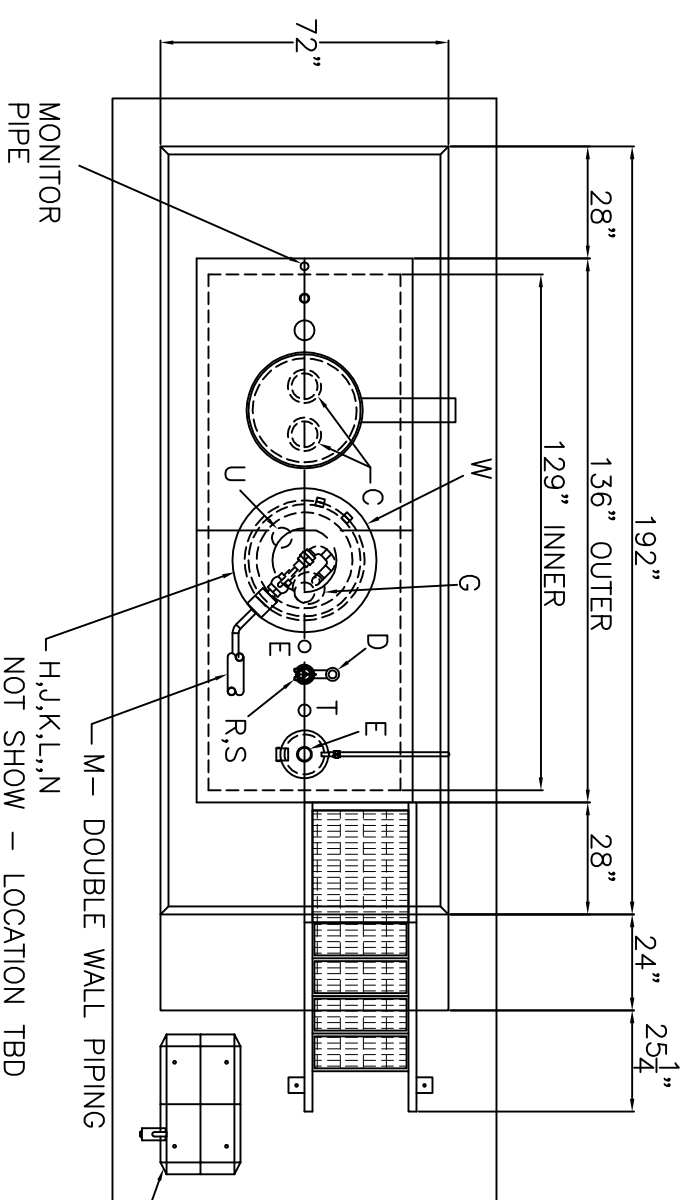


LEGEND	
A	1,000 GAL FIREGUARD & DIKE PER DWG 59249
B	PUMP STAND W/ STP-MILD LINE LEAK DETECTOR
C	6" EMERGENCY VENT 8 oz (MORRISON 2440M-0200-AV)
D	2" PRESSURE/ VACUUM VENT CAP - O RING SEAL (EBW 802-303-12) PER DETAIL R
E	2" OVERFILL PREVENTION VALVE (MORRISON 9095A-AV02000-AV) W/ FILL CAP (MORRISON 800DC-B0400-1C)
F	WAYNE 3/4V387 DUAL SIDE DISPENSER WITH HEALY VAPOR RECOVERY, ELECTROMECHANICAL TOTALIZER, 5/8"φ x 10'-6" HOSE, BREAKAWAY VALVE WITH 9" WHIP HOSE, DUAL PLANE SWIVEL AND AUTOMATIC NOZZLE WITH SPLASH GUARD.
G	SUBMERSIBLE PUMP 208-230V/1φ/60HZ, 1/3 HP W/ 4" x 7" RISER (FE PETRO STPAG-33L2) W/ STP-SC CONTROLLER
H	1-1/2" DOUBLE POPPET SHEAR/ IMPACT VALVE (EBW 662-440-15)
J	1-1/2" LOCKING BALL VALVE (MORRISON 691BSS-0700-1V)
K	1-1/2" SOLENOID VALVE 110 V (MORRISON 710SS-2150-1V)
L	1-1/2" EXTERNAL EMERGENCY VALVE (MORRISON 346DI-0400AV)
M	1-1/2" PUMP PIPING - DOUBLE WALL - BY OTHERS
N	1/2" EXPANSION RELIEF VALVE - 25 PSI (MORRISON 346DI-0400-AV)
P	1" x 1-1/2" VAPOR SHEAR VALVE FOR UNDER DISPENSER (EBW 362-204-03)
R	4" VAPOR RECOVERY ADAPTER (EBW SW-101-E) STAGE ONE AND VAPOR SHEAR VALVE (EBW 362) PER DETAIL R
S	4" VAPOR RECOVERY CAP FOR SW-101-E ADAPTOR (EBW 304-301-03)
T	CLOCK LEVEL GAUGE (MORRISON 818-0100 AG)
U	OMNITEC ELP21LU1 CONTROLLER AND MOUNTING BRACKETS
V	OMNITEC HIGH LEVEL & INTERSTICE PROBE W/ ALARM PANEL, DIKE CONTAINMENT LEAK SENSOR, PUMP STAND LEAK SENSOR (SEE ITEM "B")
W	E85 LABEL
W	CONTAINMENT SUMP PER DRAWING 58925



E85 STORAGE TANK

NOTE: ALL RIGHTS RESERVED. THIS DRAWING MUST NOT BE REPRODUCED IN ANY FORM WITHOUT THE WRITTEN PERMISSION OF HIGHLAND TANK®. HIGHLAND TANK® SHALL BE RESPONSIBLE ONLY FOR ITEMS INDICATED ON THIS FABRICATION DRAWING UNLESS OTHERWISE NOTED. CUSTOMER IS RESPONSIBLE FOR VERIFYING CORRECTNESS OF SIZE AND LOCATION OF FITTINGS, ACCESSORIES, AND COATINGS SHOWN ON THIS DRAWING.

TOUCH UP OF FINISHED PAINT IS REQUIRED BY INSTALLATION CONTRACTOR. TOUCH UP PAINT SHIPPED WITH TANK.

**AREO-POWER**®  
 PATENT NUMBER 5346093  
 1000 GALLON 48"φ CYL. FIREGUARD®

PATENT: 5,695,089 PATENT: 5,809,650  
 CUSTOMER: SUFFOLK CO

PROJECT: E85 STORAGE TANK

QUOTE NO: SUB  
 SCALE: 1/4" = 12'  
 DATE: 4/29/08  
 DWG. BY: 003  
 CHK'D BY:  
 DWG. NO: 59243

REF. DRAWINGS  
 59243- TANK  
 59277- MANWAY DETAIL