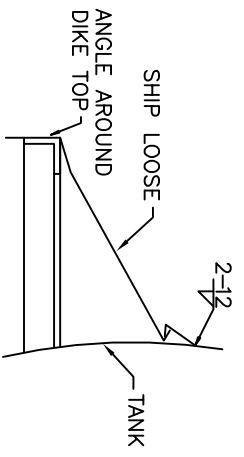
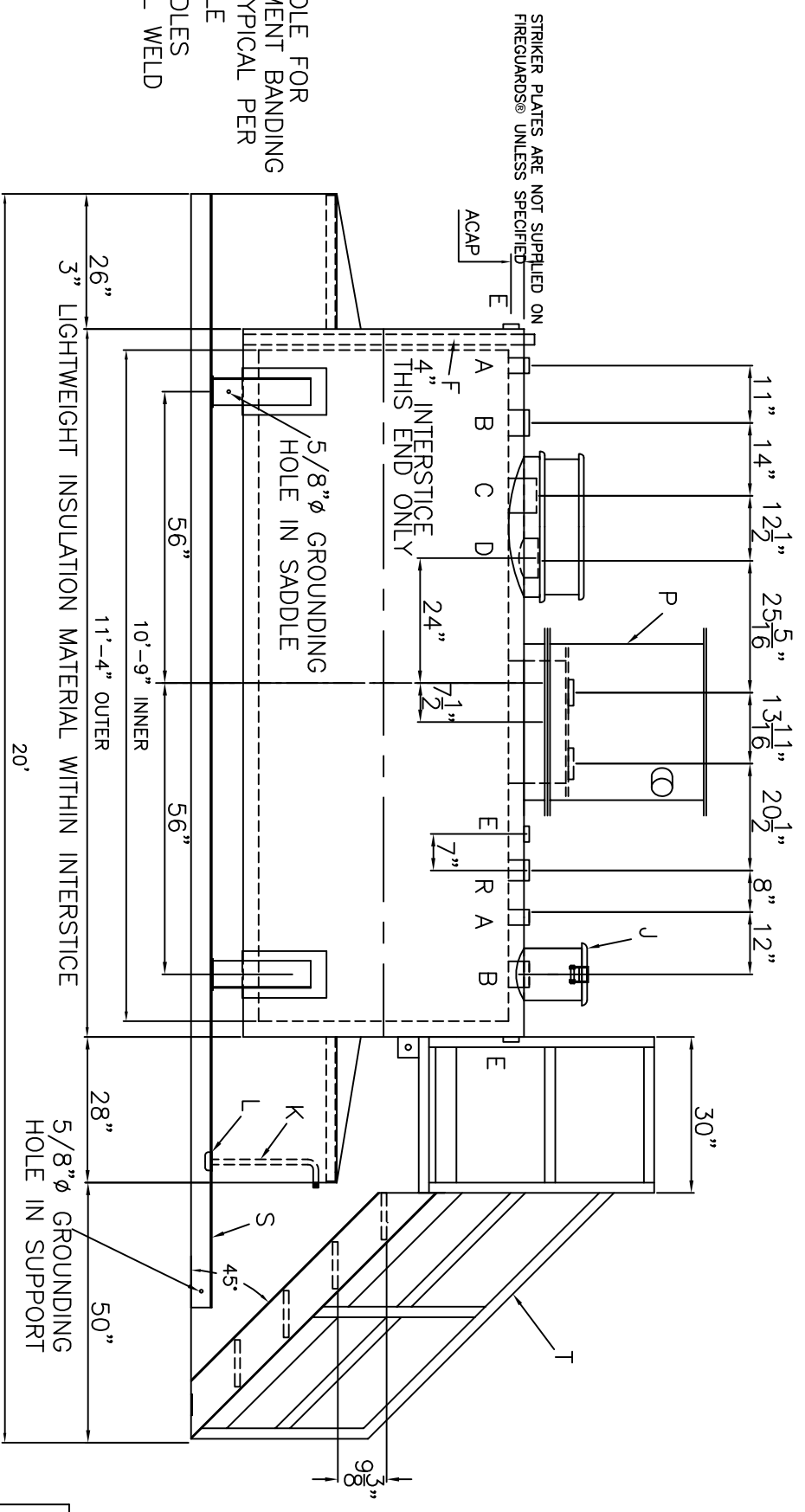
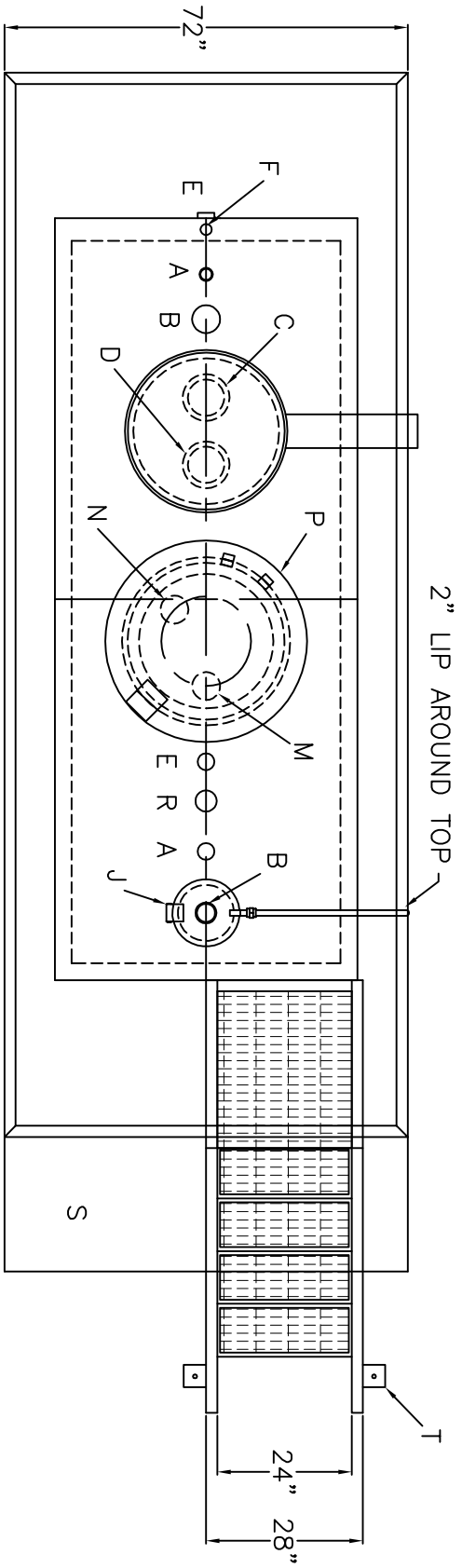
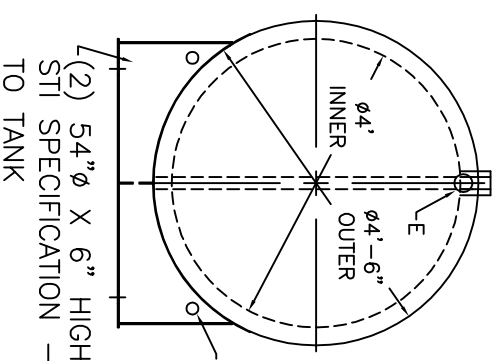
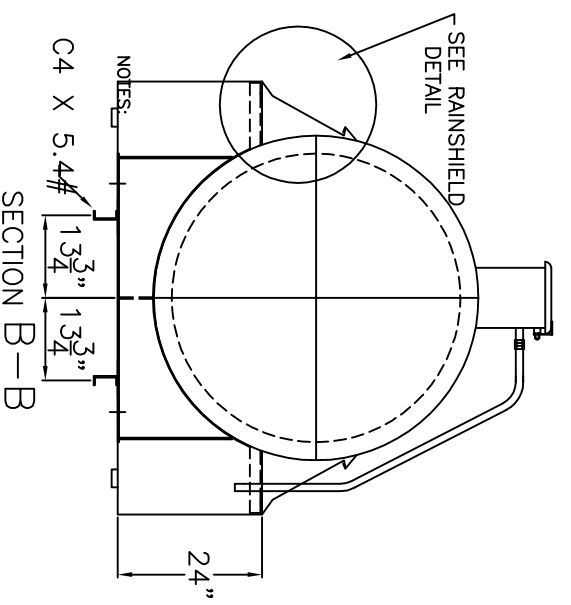


DESIGN DATA

CAPACITY :	1,000 GALLONS
TYPE:	FIREGUARD® CYLINDRICAL
FIREGUARD® IS A TRADEMARK OF THE STEEL TANK INSTITUTE	
NO. REQ. --	--
OPERATING PRESSURE	ATMOSPHERIC
TANK MATERIAL	MILD CARBON STEEL
THICKNESS - INNER	10 GAUGE
THICKNESS - OUTER	7 GAUGE
MIN. GAUGE OR THICKNESS (PER U.L. 2085)	
CONSTRUCTION - INNER	LAP WELD OUTSIDE ONLY
CONSTRUCTION - OUTER	LAP WELD OUTSIDE ONLY
TANK TEST	PER UL 2085
INT. FINISH	NONE
EXT. FINISH	SP-6 BLAST, FINISH PAINT WHITE
LABEL	UL 2085 AND FIREGUARD® PER sti
DIKE DESIGN DATA	
CAPACITY	1100 GALLONS
TANK MATERIAL	MILD CARBON STEEL
THICKNESS	ALL - 7 GAUGE
CONSTRUCTION	WELDED
FINISH	ALL - SAME AS TANK EXTERIOR



RAINSHIELD DETAIL



AREO-POWER ®
PATENT NUMBER 5346093

1000 GALLON 48" ϕ CYL. FIREGUARD®
PATENT: 5,695,089 PATENT: 5,809,650
CUSTOMER: SUFFOLK CO

PROJECT: E85 STORAGE TANK

QUOTE NO: SUB
SCALE: 3/8" = 12"
DATE: 4/29/08
DWG. BY: 003
CHK'D BY:
DWG. NO: 59249

A	2" FEMALE FIREGUARD COUPLING
B	4" FEMALE FIREGUARD COUPLING
C	6" FEMALE FIREGUARD COUPLING - FOR PRIMARY EMERGENCY VENT USE
D	6" FITTING THROUGH OUTER SHELL ONLY, MARK WITH SPECIAL WARNING LABEL INTERSTITIAL EMERGENCY VENT USE ONLY
E	2" FITTING THROUGH OUTER SHELL ONLY WITH CAST IRON PLUG- MFG USE ONLY

F	2" INTERSTITIAL MONITOR PIPE - MALE NPT END
G	2" FNPT FITTING (2 REQ'D) IN OPPOSITE CORNERS OF THE DIKE
H	VENT DEFLECTOR ASSEMBLY
J	FILL CONTAINMENT CHAMBER w/ 1" PIPING TO DIKE
K	3/4" PUMP OUT PIPING
L	3/4" PIPE CAP SUMP

M	4" FNPT FITTING (PUMP USE- IN MANWAY COVER PLATE)
N	4" FNPT FITTING (LEVEL GAUGE USE- IN MANWAY COVER PLATE)
P	CONTAINMENT SUMP - DWG 59277
R	3" FEMALE FIREGUARD COUPLING
S	PUMP PAN w/ 2" LIP

T	24" WIDE x 47" HIGH STAIRS AND PLATFORM. PAINT: SAFETY YELLOW, SHIP LOOSE, INSTALLATION ON SITE BY OTHERS.
----------	--

NOTE: ALL RIGHTS RESERVED. THIS DRAWING MUST NOT BE REPRODUCED IN ANY FORM WITHOUT THE WRITTEN PERMISSION OF HIGHLAND TANK®. HIGHLAND TANK® SHALL BE RESPONSIBLE ONLY FOR ITEMS INDICATED ON THIS FABRICATION DRAWING UNLESS OTHERWISE NOTED. CUSTOMER IS RESPONSIBLE FOR VERIFYING CORRECTNESS OF SIZE AND LOCATION OF FITTINGS, ACCESSORIES, AND COATINGS SHOWN ON THIS DRAWING.
TOUCH UP OF FINISHED PAINT IS REQUIRED BY INSTALLATION CONTRACTOR. TOUCH UP PAINT SHIPPED WITH TANK.