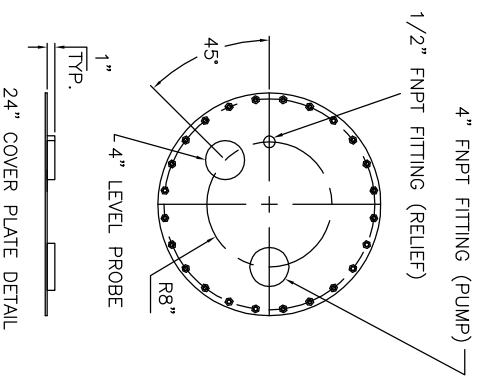
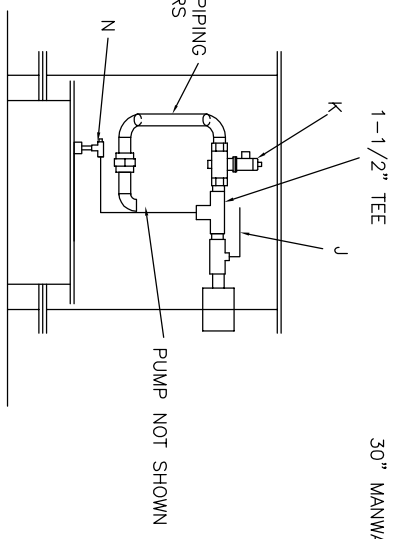
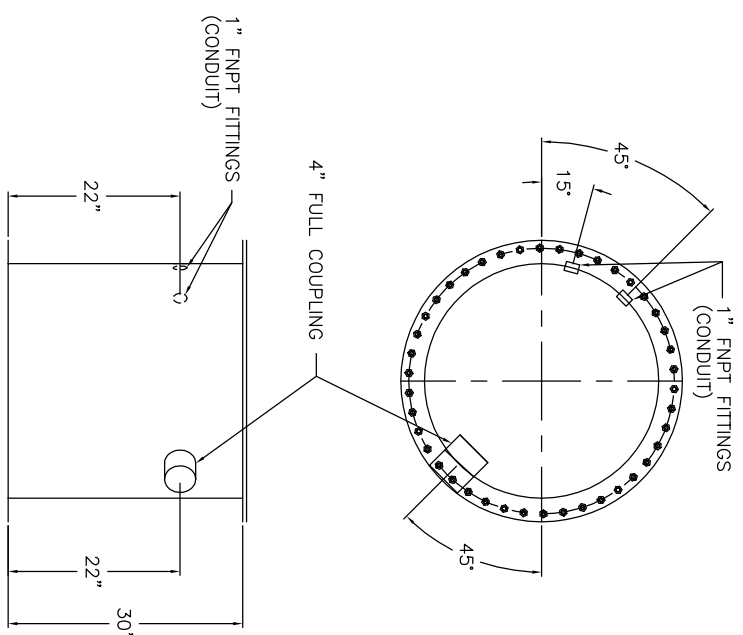
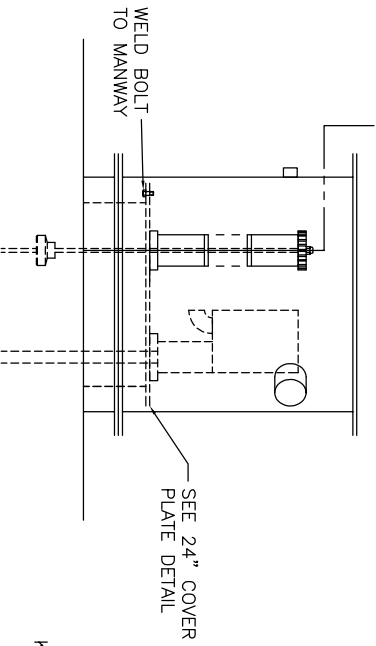
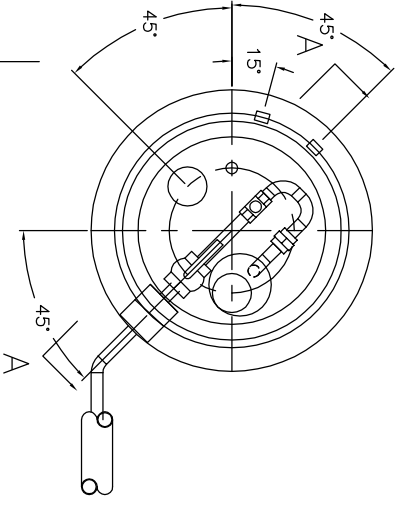


All rights reserved. This drawing or any part thereof must not be reproduced in any form without the written permission of Aeco-Power United Fueler, Inc.



SEE DRAWING 58922 FOR MAIN ASSEMBLY

SECTION A-A

PATENT NUMBER 5346093	
2,000 GAL 64" Ø CYL. FIREGUARD® DIKE	
PATENT: 5,695,089 PATENT: 5,809,650	
CUSTOMER: SUFFOLK CO	
PROJECT: E85 STORAGE TANK	
QUOTE NO.	SUB
SCALE: DATE: DWG. BY:	DWG. NO.
3/4" = 1" 4/8/08 003	589225