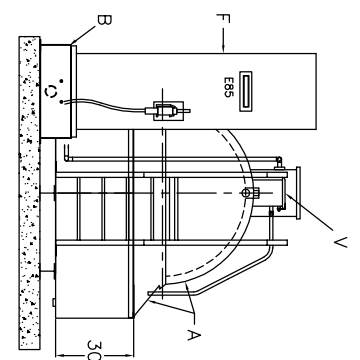
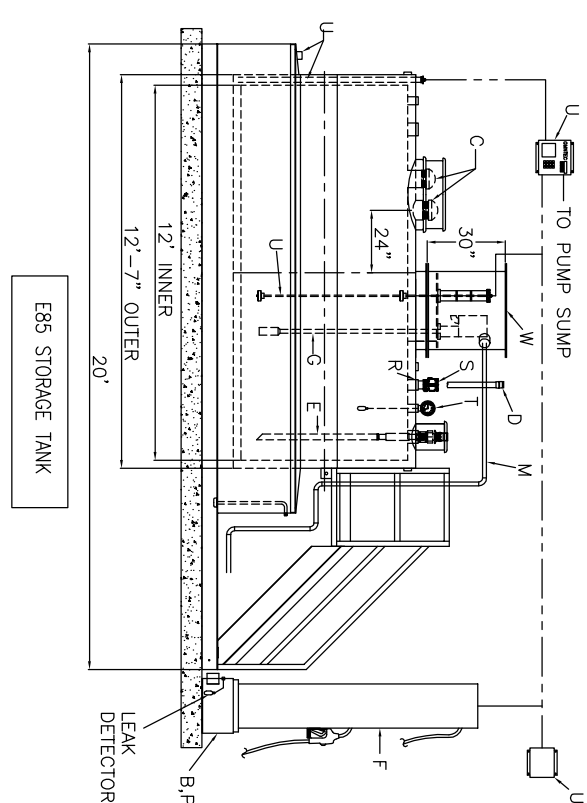
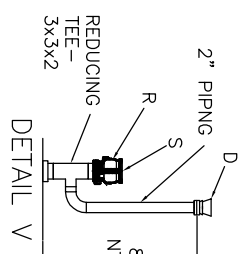
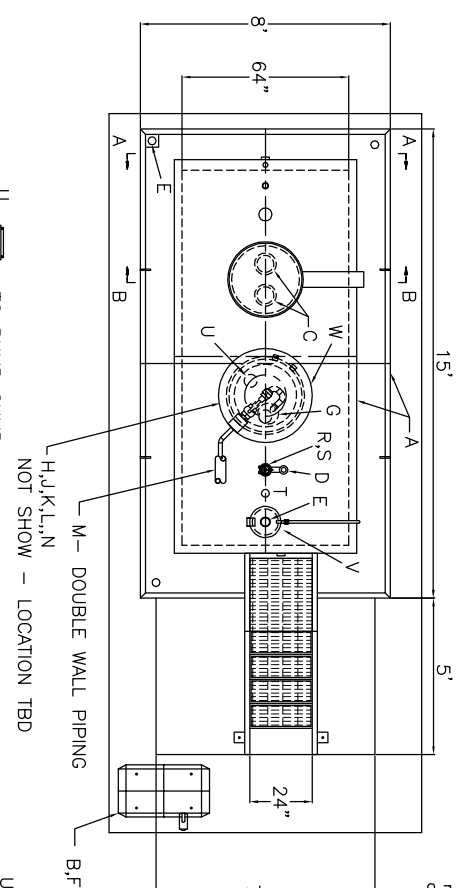


LEGEND

A	2,000 GAL FIREGUARD & DIKE PER DWG 58924
B	PUMP STAND w/ STP-MLD LINE LEAK DETECTOR
C	6" EMERGENCY VENT 8 oz (MORRISON 2440M-0200-AV)
D	2" PRESSURE/ VACUUM VENT CAP - O RING SEAL (EBW 802-303-12)
E	2" OVERFILL PREVENTION VALVE (MORRISON 9095A-AV02000-AV) w/ FILL CAP (MORRISON 800DC-B0400-1C)
F	WAYNE 3/VS87 DUAL SIDE DISPENSER WITH HEALY VAPOR RECOVERY, ELECTROMECHANICAL TOTALIZER, 5/8" x 10-6" HOSE, BREAKAWAY VALVE WITH 9" WHIP HOSE DUAL PLANE SWIVEL AND AUTOMATIC NOZZLE WITH SPLASH GUARD.
G	SUBMERSIBLE PUMP 208-230V/1 ϕ /60HZ, 1/3 HP w/ 4" x 7" RISER (FE PETRO STPAG-33L2) w/ STP-SC CONTROLLER
H	1-1/2" DOUBLE POPPET SHEAR/ IMPACT VALVE (EBW 662-440-15)
J	1-1/2" LOCKING BALL VALVE (MORRISON 691BSS-0700-1V)
K	1-1/2" SOLENOID VALVE 110 V (MORRISON 710SS-2150-1V)
L	1-1/2" EXTERNAL EMERGENCY VALVE (MORRISON 346DI-0400AV)
M	1-1/2" PUMP PIPING - DOUBLE WALL - BY OTHERS
N	1/2" EXPANSION RELIEF VALVE - 25 PSI (MORRISON 346DI-0400-AV)
P	1" x 1-1/2" VAPOR SHEAR VALVE FOR UNDER DISPENSER (EBW 362-204-03)
R	4" VAPOR RECOVERY ADAPTER (EBW SW-101-E) STAGE ONE AND VAPOR SHEAR VALVE (EBW 362)
S	4" VAPOR RECOVERY CAP FOR SW-101-E ADAPTOR (EBW 304-301-03)
T	CLOCK LEVEL GAUGE (MORRISON 818-0100 AG)
U	OMNITEC ELP21U1 CONTROLLER AND MOUNTING BRACKETS
V	OMNITEC HIGH LEVEL & INTERSTICE PROBE w/ ALARM PANEL, DIKE CONTAINMENT LEAK SENSOR, PUMP STAND LEAK SENSOR (SEE ITEM "B")
W	E85 LABEL
W	CONTAINMENT SUMP PER DRAWING 58925



SHIP LOOSE: (INSTALLATION ON SITE BY OTHERS)
 (2) 6" MALE THREADED EMERGENCY VENTS
 PUMP & PUMP STAND
 STARS

All rights reserved. This drawing or any part thereof must not be reproduced in any form without the written permission of Aero-Power Utilized Fields, Inc.

AERO-POWER ®
 PATENT NUMBER 5346093

2,000 GAL 64" Ø CYL. FIREGUARD ® DIKE

PATENT: 5,695,089 PATENT: 5,809,650
 CUSTOMER: SUFFOLK CO

PROJECT: E85 STORAGE TANK

QUOTE NO: SUB
 DATE: 12/4/08 DWG. BY: 003
 SCALE: 1/4" = 1'-0"

DWG. NO: 58922