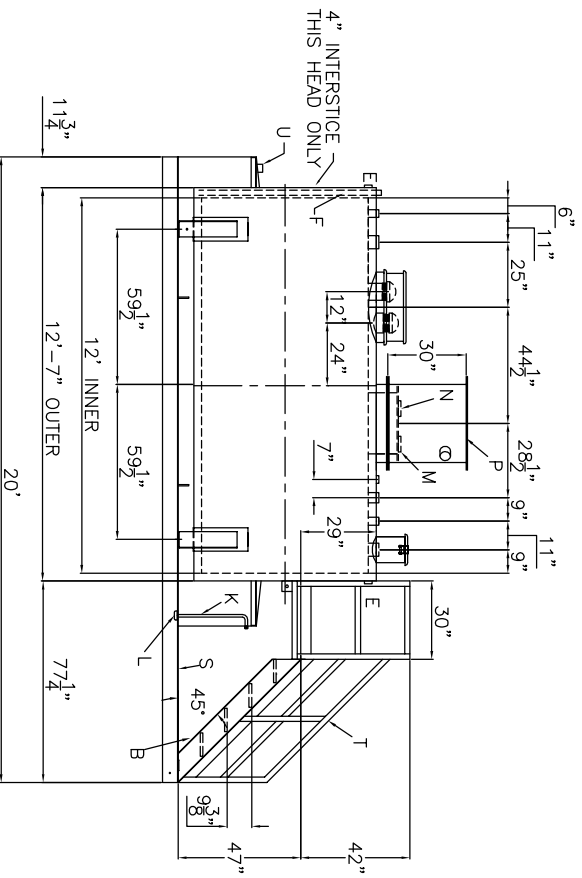
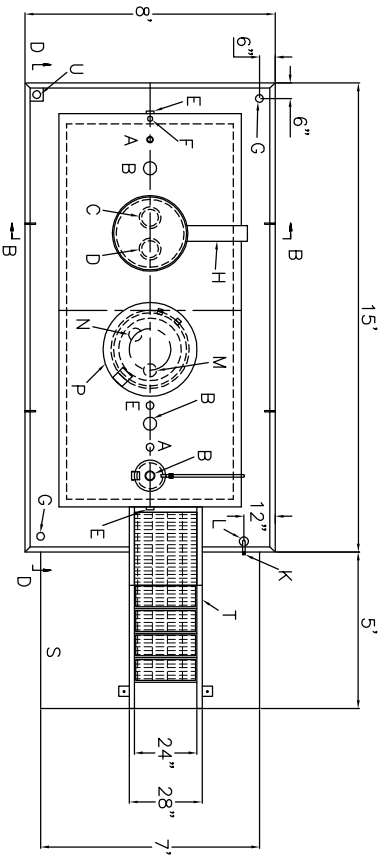
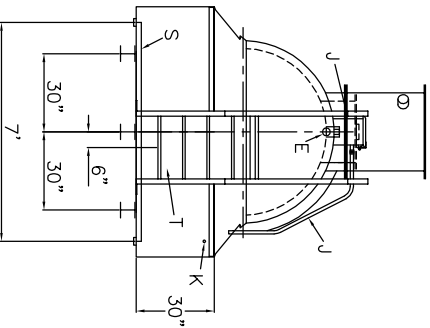


All rights reserved. This drawing or any part thereof must not be reproduced in any form without the written permission of Aro-Power Utilized Fuel, Inc.



SECTION D-D



**TANK DESIGN DATA**

CAPACITY : 2,000 GALLONS
TYPE: FIREGUARD® CYLINDRICAL FIREGUARD® IS A TRADEMARK OF WITH THE STEEL TANK INSTITUTE
NO. REQ. --
OPERATING PRESSURE - ATMOSPHERIC
TANK MATERIAL - MILD CARBON STEEL
THICKNESS - INNER - HEADS AND SHELL - 7 GAUGE
THICKNESS - OUTER - HEADS AND SHELL - 7 GAUGE
MIN. GAUGE OR THICKNESS (PER U.L. 2085)
CONSTRUCTION - INNER - LAP WELD OUTSIDE ONLY
CONSTRUCTION - OUTER - LAP WELD OUTSIDE ONLY
TANK TEST - PER UL 2085
INT. FINISH - NONE
EXT. FINISH - SP-6 BLAST, FINISH PAINT WHITE
LABEL - UL 2085 AND FIREGUARD® PER stl DIKE DESIGN DATA
CAPACITY - 2,200 GALLONS
TANK MATERIAL - MILD CARBON STEEL
THICKNESS - 7 GA
CONSTRUCTION - WELD INSIDE & OUTSIDE
INT. FINISH - SAME AS TANK
EXT. FINISH - SAME AS TANK

**LEGEND**

A	2" FEMALE FIREGUARD COUPLING
B	4" FEMALE FIREGUARD COUPLING
C	6" FEMALE FIREGUARD COUPLING - FOR PRIMARY EMERGENCY VENT USE
D	6" FITTING THROUGH OUTER SHELL ONLY, MARK WITH SPECIAL WARNING LABEL INTERSTITIAL EMERGENCY VENT USE ONLY
E	2" FITTING THROUGH OUTER SHELL ONLY WITH CAST IRON PLUG - MFG USE ONLY
F	2" INTERSTITIAL MONITOR PIPE - MALE NPT END
G	2" FNPT FITTING (2 REQ'D) IN OPPOSITE CORNERS OF THE DIKE
H	VENT DEFLECTOR ASSEMBLY
J	FILL CONTAINMENT CHAMBER w/ 1" PIPING TO DIKE
K	3/4" PUMP OUT PIPING
L	3/4" PIPE CAP SUMP
M	4" FNPT FITTING (PMP USE)
N	4" FNPT FITTING (LEVEL GAUGE USE)
P	CONTAINMENT SUMP - DWG 58925
R	-
S	PUMP PAN w/ 2" LIP
T	24" WIDE x 47 HIGH STAIRS AND PLATFORM, PAINT: SAFETY YELLOW, SHIP LOOSE, INSTALLATION ON SITE BY OTHERS.
U	-

**AREO-POWER**  
 PATENT NUMBER 5346093

2,000 GAL 64" Ø CYL. FIREGUARD® DIKE  
 PATENT: 5,695,089 PATENT: 5,809,650  
 CUSTOMER: SUFFOLK CO

PROJECT: E85 STORAGE TANK  
 QUOTE NO: SUB  
 SCALE: 1/4" = 12' 4/8/08  
 DWG. BY: 003  
 DATE: 12/4/08  
 CHK'D BY: 58924

SEE DRAWING 58922 SEE ASSEMBLY