

TANK

CAPACITY - 20,000 GALLONS
 TANK MATERIAL - MILD CARBON STEEL
 THICKNESS - INNER & OUTER - HEADS - 5/16"
 FLANGED & DISHED
 THICKNESS - INNER & OUTER - SHELL - 1/4"
 CONSTRUCTION - INNER - LAP WELD OUTSIDE ONLY
 OUTER - LAP WELD OUTSIDE ONLY
 TANK TEST - INNER: 20 PSIG HYDROTEST
 OUTER: UL2085
 INT. FINISH - NONE
 EXT. FINISH - SSPC SP6, WHITE PAINT SYSTEM
 LABEL - UL 2085 AND FIREGUARD PER st &
 NEW YORK CITY

DIKE

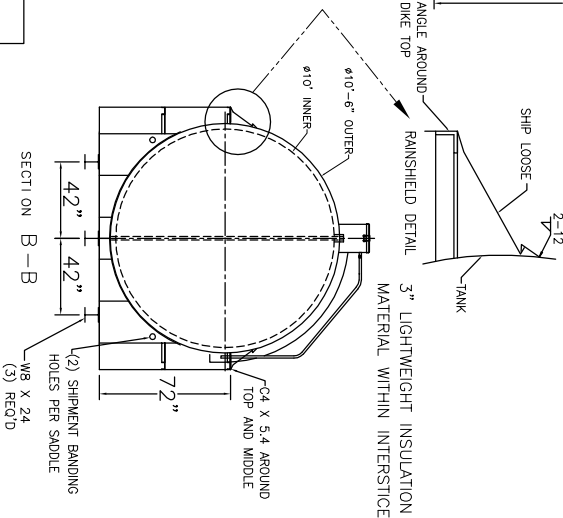
CAPACITY - 22,082 GALLONS
 TANK MATERIAL - 1/4" MILD CARBON STEEL
 CONSTRUCTION - WELD IN AND OUT
 PAINT - ALL - SAME AS TANK EXTERIOR

FITTING

A 4" FEMALE FIREGUARD COUPLING
 B 8" FNPT FITTING
 - THROUGH OUTER SHELL ONLY -
 MARK WITH SPECIAL WARNING LABEL
 INTERSPACE EMERGENCY VENT USE
 C 2" FITTING THROUGH OUTER SHELL ONLY WITH
 CAST IRON PLUG - FOR MFG USE ONLY
 D 2" MONITOR PIPE - MALE NPT END
 E 4" FEMALE FIREGUARD COUPLING
 F 24" X 3/8" PLATE TIGHT BOLT MANWAY
 WITH 1/8" NEO-CORK GASKET
 G FILL CONTAINMENT CHAMBER
 WITH LOCKABLE COVER AND
 OVERFLOW PIPE ASSEMBLY
 H VENT DEFLECTOR ASSEMBLY WITH
 EMERGENCY VENT OVERFLOW CHUTE

SHIP LOOSE

J 3/4" PUMP/OUT PIPE WITH
 3" PIPE CAP SUMP
 K HTM STD 108" HIGH BOLT TO TANK
 STYLE STAIR AND PLATFORM ASSEMBLY
 PAINTED SAFETY YELLOW - SHIP LOOSE
 FOR INSTALLATION ON SITE BY OTHERS.
 L 8" FLANGE W/ THREADED COMPANION FLANGE
 PRIMARY TANK EMERGENCY VENT
 M -
 N -



All rights reserved. This drawing or any part thereof must not be reproduced in any form without the written permission of Areo-Power Unitedized Fueler, Inc.

AREO-POWER

20,000 GALLON FIREGUARD DIKE-
 NEW YORK STYLE W/ RAINSHIELDS

CUSTOMER: -
 PROJECT: -

QUOTE: -

SCALE
 3/16" = 1'-0"
 DATE 1/18/05
 DRAWN BY 003

DMC. NO.
FGDKRSPF20K