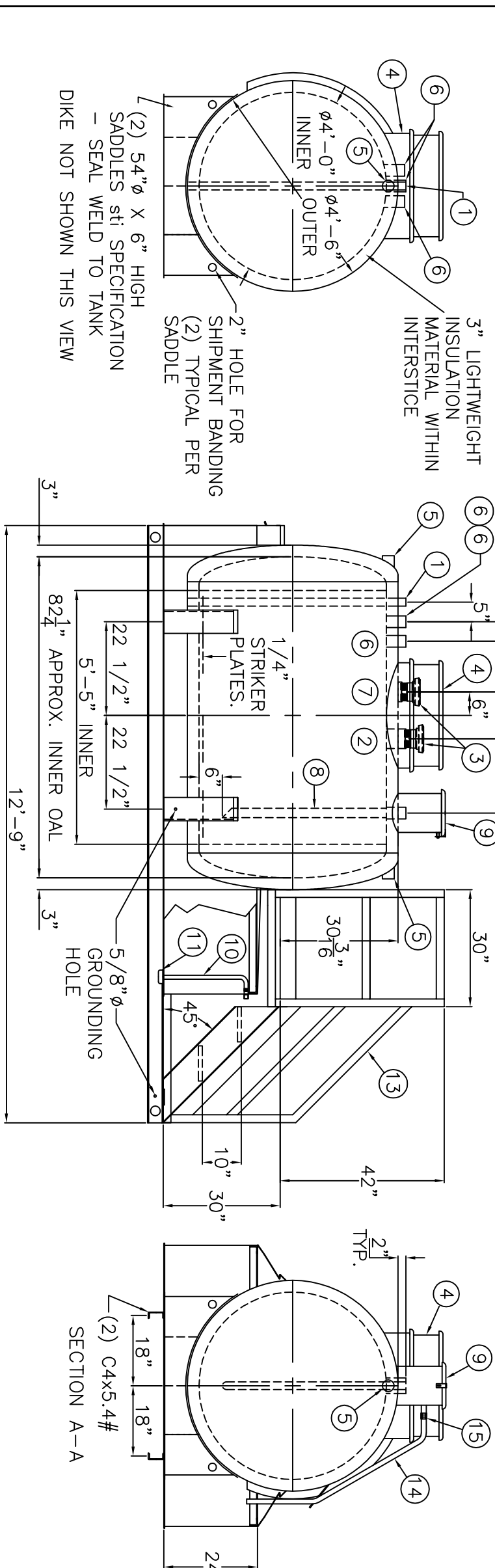
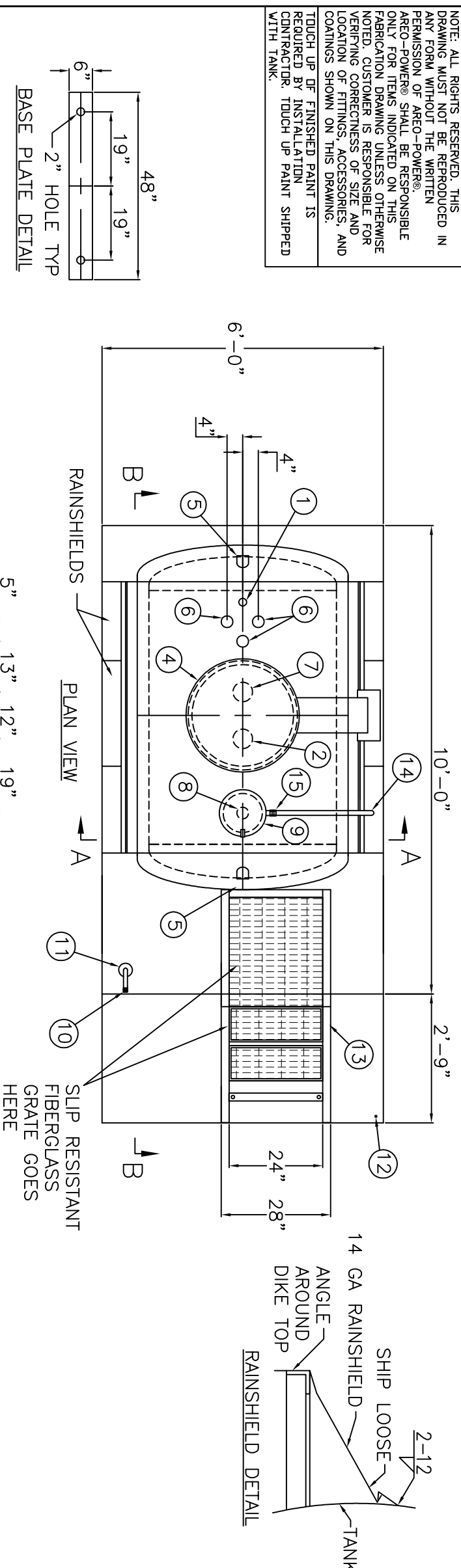


NOTE: ALL RIGHTS RESERVED. THIS DRAWING MUST NOT BE REPRODUCED IN ANY FORM WITHOUT THE WRITTEN PERMISSION OF AREO-POWER®. AREO-POWER® SHALL BE RESPONSIBLE ONLY FOR ITEMS INDICATED ON THIS FABRICATION DRAWING UNLESS OTHERWISE NOTED. CUSTOMER IS RESPONSIBLE FOR VERIFYING CORRECTNESS OF SIZE AND LOCATION OF FITTINGS, ACCESSORIES, AND COATINGS SHOWN ON THIS DRAWING. TOUCH UP OF FINISHED PAINT IS REQUIRED BY INSTALLATION CONTRACTOR. TOUCH UP PAINT SHIPPED WITH TANK.



ITEM	QTY	DESCRIPTION	ITEM	QTY	DESCRIPTION
1	1	2" INTERSTITIAL MONITOR PIPE - MALE NPT END	7	1	4" FITTING THROUGH OUTER SHELL ONLY, MARK WITH SPECIAL WARNING LABEL INTERSTITIAL EMERGENCY VENT USE ONLY
2	1	4" FEMALE FIREGUARD COUPLING - FOR PRIMARY EMERGENCY VENT USE	8	1	2" FEMALE FIREGUARD COUPLING w/ 2" SCH 40 DROP PIPE TO WITHIN 6" OF THE BOTTOM OF THE TANK WITH 45° MITER
3	2	4" EMERGENCY VENT (SHIP LOOSE)	9	1	FILL CONTAINMENT CHAMBER
4	1	VENT DEFLECTOR ASSEMBLY & CHUTE (SHIP LOOSE)	10	1	3/4" PUMPOUT PIPE
5	2	2" FITTING THROUGH OUTER SHELL ONLY WITH CAST IRON PLUG- MFG USE ONLY	11	1	3" PIPE CAP SUMP
6	3	2" FEMALE FIREGUARD COUPLING			

**DESIGN DATA**

CAPACITY : 584 GALLONS  
 TYPE: FIREGUARD® CYLINDRICAL NEW YORK CITY STYLE  
 FIREGUARD® IS A TRADEMARK OF WITH THE STEEL TANK INSTITUTE  
 NO. REQ. - -  
 OPERATING PRESSURE - ATMOSPHERIC  
 TANK MATERIAL - MILD CARBON STEEL  
 THICKNESS - INNER - 1/4" SHELL, 5/16" HEADS  
 THICKNESS - OUTER - 1/4" SHELL, 5/16" HEADS  
 \*STANDARD FLANGED & DISHED HEADS INNER & OUTER  
 MIN. GAUGE OR THICKNESS (PER U.L. 2085)  
 CONSTRUCTION - INNER - LAP WELD OUTSIDE ONLY  
 CONSTRUCTION - OUTER - LAP WELD OUTSIDE ONLY  
 TANK TEST - PER UL 2085  
 INNER - 20 PSIG  
 OUTER - 5 PSIG  
 INT. FINISH - NONE  
 EXT. FINISH - SP-6 BLAST, FINISH PAINT WHITE  
 LABEL - UL 2085 AND FIREGUARD® PER stl & NYC

**DIKE DESIGN DATA**

CAPACITY - 898 GALLONS  
 TANK MATERIAL - MILD CARBON STEEL  
 THICKNESS - ALL - 7 GAUGE  
 CONSTRUCTION - WELDED INSIDE & OUTSIDE  
 FINISH - ALL - SAME AS TANK EXTERIOR

**NOTES**

1. ALL DIMENSIONS APPROXIMATE
  2. LIQUID LEVEL NOT TO EXCEED 95% TANK CAPACITY
- SHIP LOOSE
- (2) 4" MALE THREADED EMERGENCY VENTS
  - (1) VENT DEFLECTOR

**AREO-POWER®**  
 U.S. PATENT # 4895272 CANADIAN PATENT APPLIED FOR

500 GAL 48" Ø CYL. FIREGUARD® DIKE NYC

PATENT: 5,695,089 PATENT: 5,809,650  
 CUSTOMER:

PROJECT:

QUOTE NO:

SCALE: DATE: DVG. BY: 80403