

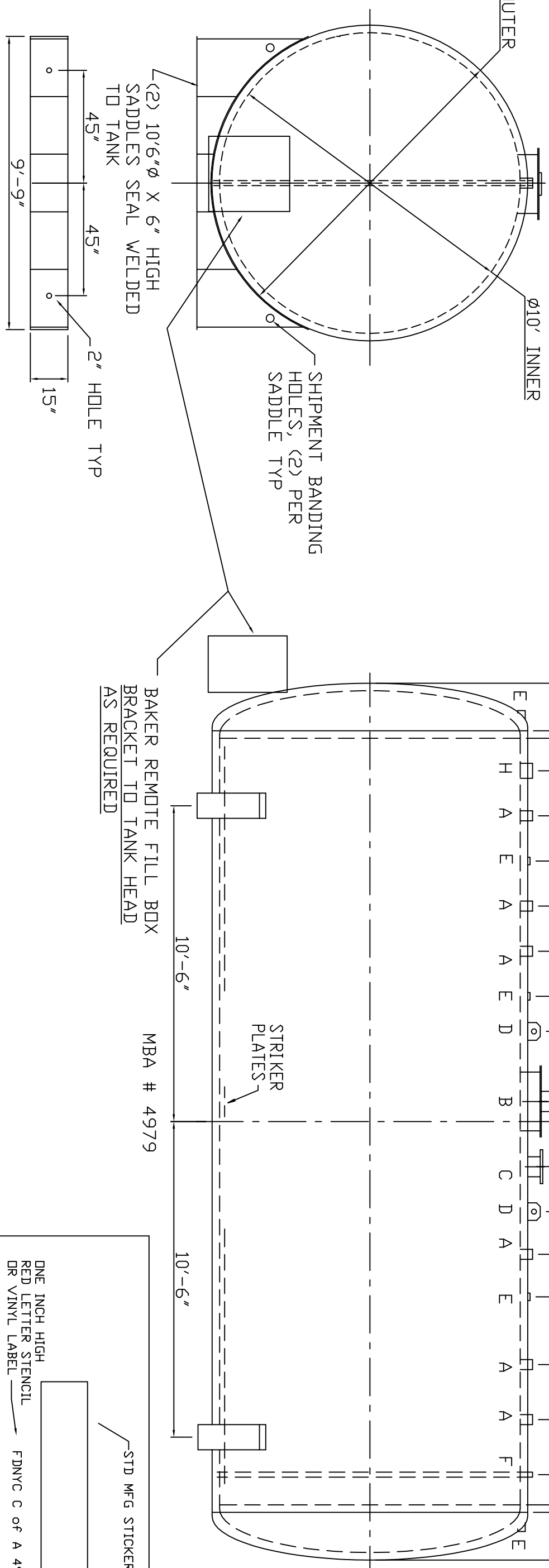
NOTE: ALL RIGHTS RESERVED. THIS DRAWING OR ANY PART THEREOF MUST NOT BE REPRODUCED IN ANY FORM WITHOUT THE WRITTEN PERMISSION OF AREO-POWER UNLIMITED FUELER AREO-POWER SHALL BE RESPONSIBLE ONLY FOR ITEMS INDICATED ON THIS FABRICATION DRAWING UNLESS OTHERWISE NOTED. CUSTOMER IS RESPONSIBLE FOR VERIFYING CORRECTNESS OF SIZE / LOCATION OF FITTINGS, ACCESSORIES & COATINGS SHOWN ON THIS DRAWING

3" LIGHTWEIGHT INSULATION MATERIAL WITHIN INTERSTICE

29'-2" APPROXIMATE HEAD TO HEAD

26' OUTER STRAIGHT SHELL

25'-6" INNER STRAIGHT SHELL



BAKER REMOTE FILL BOX BRACKET TO TANK HEAD AS REQUIRED

MBA # 4979

ONE INCH HIGH RED LETTER STENCIL OR VINYL LABEL
 STD MFG STICKER
 STD AREO STICKER
 THIS TO BE ADDED TO BOTH SIDES OF TANK

CAPACITY - 15,000 GALLONS
 MATERIAL - MILD CARBON STEEL

THICKNESS - INNER SHELL - 1/4"
 OUTER SHELL - 1/4"

HEADS - INNER - 5/16" MIN. STD FLGD & DISHED
 OUTER - 5/16" MIN. STD FLGD & DISHED

CONSTRUCTION - INNER & OUTER - LAP WELD OUTSIDE ONLY

TEST - INNER - 20 PSIG HYDROTEST
 OUTER - 5 PSIG AIR

PAINT - INT - NONE

EXT - SSPC SP6 BLAST, EPOXY PAINT SYSTEM, COLDR TO BE WHITE

LABEL - UL 2085, FIREGUARD, AND NEW YORK CITY

AREO-POWER
 15,000 GAL 10'Ø FIREGUARD
 NEW YORK CITY STYLE

CUSTOMER: ---
 PROJECT: ---
 QUOTE NO: ---

SCALE	DATE	DRAWN BY	CHK'D BY	DWG NO
1/4" = 1' - 0"	9/2/04	006		43206C