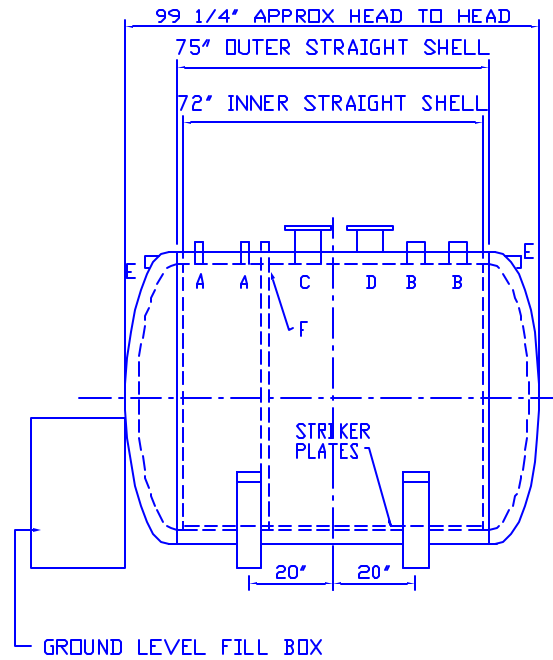
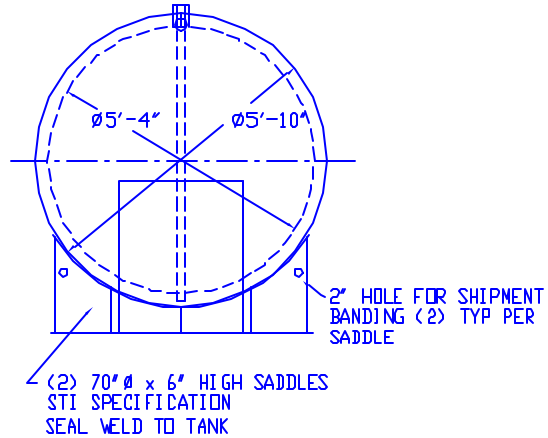


NOTE:  
 ALL RIGHTS RESERVED, THIS DRAWING OR ANY PART THEREOF MUST NOT BE REPRODUCED IN ANY FORM WITHOUT THE WRITTEN PERMISSION OF AREO-POWER UTILIZED FUELER INC.  
 AREO-POWER SHALL BE RESPONSIBLE ONLY FOR ITEMS INDICATED ON THIS FABRICATION DRAWING UNLESS OTHERWISE NOTED. CUSTOMER IS RESPONSIBLE FOR VERIFYING CORRECTNESS OF SIZE / LOCATION OF FITTINGS, ACCESSORIES & COATINGS SHOWN ON THIS DRAWING

3" LIGHTWEIGHT INSULATION MATERIAL WITHIN INTERSTICE



CAPACITY - 1000 GALLONS

MATERIAL - MILD CARBON STEEL

THICKNESS - INNER SHELL - 1/4" MIN.  
 OUTER SHELL - 1/4" MIN.

HEADS - INNER - 1/4" MIN. STD FLG'D & DISHED  
 OUTER - 1/4" MIN. STD FLG'D & DISHED

CONSTRUCTION - INNER & OUTER - LAP WELD OUTSIDE ONLY

TEST - INNER - 20 PSIG HYDROTEST  
 OUTER - 5 PSIG AIR

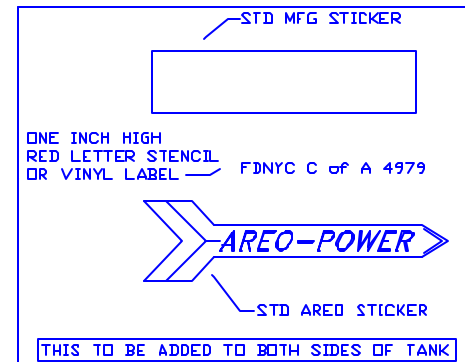
PAINT - INT - NONE

EXT - SSPC SP6 BLAST, EPOXY PAINT SYSTEM, COLOR TO BE WHITE

LABEL - UL 2085, FIREGUARD, NYC FD, AND NEW YORK 614

- A 2" FEMALE FG COUPLING
- B 4" FEMALE FG COUPLING
- C 6" X 150# RFSO FLANGE - FOR PRIMARY EMERGENCY VENT USE
- D 6" X 150# RFSO FLANGE THROUGH OUTER SHELL ONLY - INTERSTICE EMERGENCY VENT
- E 2" FNPT THROUGH OUTER SHELL ONLY W/ CAST IRON PLUG FOR MFG PURPOSES ONLY
- F 2" MONITOR PIPE MALE NPT END

MBA# 4979



**AREO-POWER**®

1000 GAL 64"Ø FIREGUARD®

NEW YORK CITY STYLE

CUSTOMER: ---

PROJECT: ---

QUOTE NO: ---

SCALE 3/8" = 1'-0"	DATE 09/13/02	DRAW BY 001	CHK'D BY	DWG NO 1KFGNYCFD
-----------------------	------------------	----------------	----------	---------------------