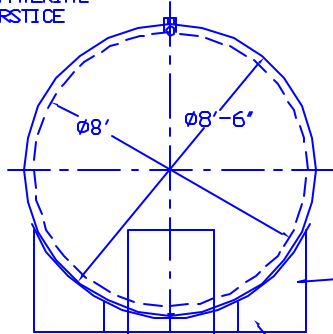


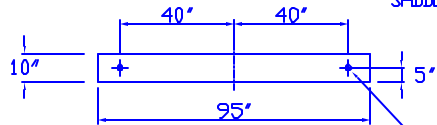
NOTE:
 ALL RIGHTS RESERVED. THIS DRAWING OR ANY PART THEREOF MUST NOT BE REPRODUCED IN ANY FORM WITHOUT THE WRITTEN PERMISSION OF AREO-POWER UNITIZED FUELER
 AREO-POWER SHALL BE RESPONSIBLE ONLY FOR ITEMS INDICATED ON THIS FABRICATION DRAWING UNLESS OTHERWISE NOTED. CUSTOMER IS RESPONSIBLE FOR VERIFYING CORRECTNESS OF SIZE / LOCATION OF FITTINGS, ACCESSORIES & COATINGS SHOWN ON THIS DRAWING

3" LIGHTWEIGHT INSULATION MATERIAL WITHIN INTERSTICE

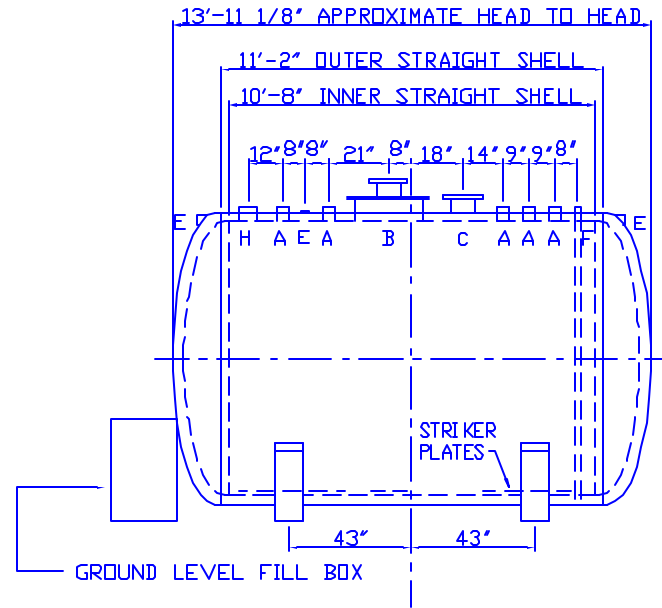


2" HOLE FOR SHIPMENT BANDING. (2) TYP PER SADDLE

SADDLES ARE STI SPEC 6" HIGH SADDLES ARE SEAL WELDED TO TANK



2"Ø HOLES TYP



MBA # 4979

STD MFG STICKER

ONE INCH HIGH RED LETTER STENCIL OR VINYL LABEL — FDNYC C of A 4979

STD AREO STICKER

THIS TO BE ADDED TO BOTH SIDES OF TANK

CAPACITY - 4,000 GALLONS
 MATERIAL - MILD CARBON STEEL
 THICKNESS - INNER SHELL - 1/4"
 OUTER SHELL - 1/4"
 HEADS - INNER - 5/16" MIN. STD FLG'D & DISHED
 OUTER - 5/16" MIN. STD FLG'D & DISHED

CONSTRUCTION - INNER & OUTER - LAP WELD OUTSIDE ONLY

TEST - INNER - 20 PSIG HYDROTEST
 OUTER - 5 PSIG AIR

PAINT - INT - NONE
 EXT - SSPC SP6 BLAST, EPOXY PAINT SYSTEM, COLOR TO BE WHITE

LABEL - UL 2085, FIREGUARD, NYC FD, & NY PART 614 CITY

- A 4" FEMALE FG COUPLING
- B 8" X 150# RFSD FLANGE MOUNTED IN 24" X 1/2" THICK PLATE MANWAY - PRIMARY EMERGENCY VENT USE
- C 8" X 150# RFSD FLANGE THROUGH OUTER SHELL ONLY - INTERSTICE EMERGENCY VENT USE
- D LIFT LUG
- E 2" FNPT THROUGH OUTER SHELL ONLY WITH CAST IRON PLUG - FOR MFG USE ONLY
- F 2" MONITOR PIPE MALE NPT END
- G 2" FITTING THROUGH OUTER SHELL ONLY
- H 6" FEMALE FG COUPLING

AREO-POWER ®				
4000 GAL 96"Ø FIREGUARD®				
NEW YORK CITY STYLE				
CUSTOMER: ---				
PROJECT: ---				
QUOTE NO: ---				
SCALE 1/4" = 1'-0"	DATE 09/13/02	DRAWN BY 001	CHK'D BY	JWG NO 4KFGNYCFD