

AREO-POWER UNITIZED FUELER, INC.

103 SMITHTOWN BLVD
SMITHTOWN, NY 11787

DRAWING TITLE

NEW YORK CITY
50,000 GAL U/G
TYPE 1 DW

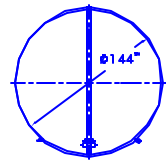
GENERAL NOTES

CAPACITY : 50000 GALLONS
TYPE : 1 380 DOUBLE WALL, UNDERGROUND, NY CITY
NO. REQ. :
MATERIAL : MILD CARBON STEEL
TEST : 30 P.S.I. INNER 5 P.S.I. OUTER
(BASED ON 80" MAX. BURIAL DEPTH)
MIN. GAUGE OR THICKNESS (PER U.L. 58) :
INNER HEADS : 3/8" OUTER HEADS : 1/4"
INNER SHELL : 3/8" OUTER SHELL : 7 GA.
PAINT :
INTERIOR : NONE
EXTERIOR : SP-6 BLAST. COAT WITH :
 CORROCOTE PLUS 15 MILS
 POLYURETHANE 70 MILS
 FIBERGLASS REINFORCED POLYESTER 125 MILS
CONSTRUCTION : FLANGED & DISHED HEADS, LAP WELD
ALL EXTERIOR SEAMS ONLY
APPROVED LABELS : U.L. 58, NYC, NYDRR PART 614
 S.J.J.P.3
 ACT-100-U
 ACT-100
- 15000 VOLT SPARK TEST PROVIDED AT FACTORY FOR POLYURETHANE MODELS
- 35000 VOLT SPARK TEST PROVIDED AT FACTORY FOR F.R.P. MODELS

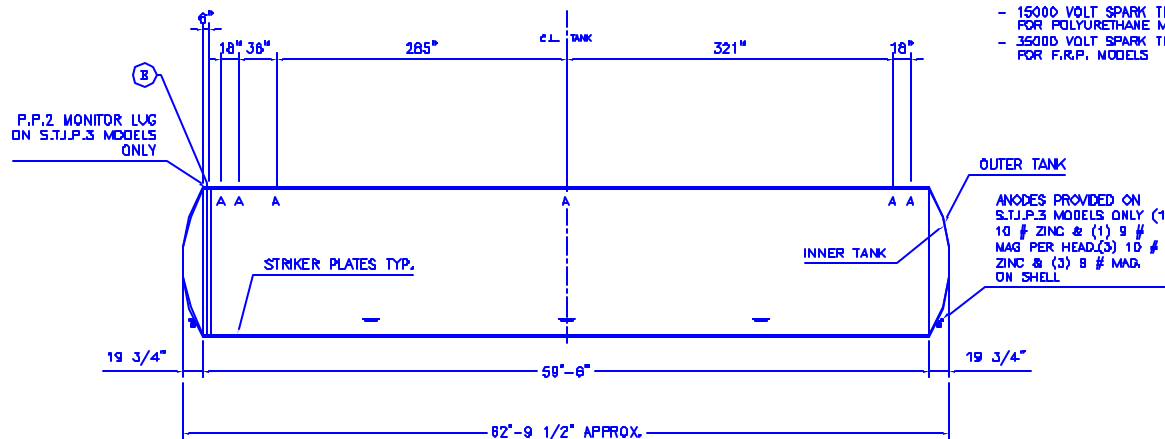
FITTING SCHEDULE

A- 5" Ø NPT WITH 5" x 4" NYLON BUSHING
B- 3" Ø NPT WITH 3" x 2" NYLON BUSHING
(FITTING FOR LEAK DETECTION W/ INTERNAL PIPE)

NOTE :
ALL RIGHTS RESERVED. THIS DRAWING OR ANY PART THEREOF MUST NOT BE REPRODUCED IN ANY FORM WITHOUT THE WRITTEN PERMISSION OF HIGHLAND TANK.
HIGHLAND TANK SHALL BE RESPONSIBLE ONLY FOR ITEMS INDICATED ON THIS FABRICATION DRAWING UNLESS OTHERWISE NOTED. CUSTOMER IS RESPONSIBLE FOR VERIFYING CORRECTNESS OF SIZE / LOCATION OF FITTINGS , ACCESSORIES & COATINGS SHOWN ON THIS DRAWING



END VIEW



ELEVATION

REVISION DESCRIPTION
BY
DATE
REV

ALL RIGHTS RESERVED. THIS DRAWING OR ANY PART THEREOF MUST NOT BE REPRODUCED IN ANY FORM WITHOUT WRITTEN PERMISSION OF AREO-POWER UNITIZED FUELER, INC.

DWG NO: 50K DW1NYCUG
SCALE: 3/32"=1" DWN BY: HT
SHEET: 1 DATE: 11/1/02