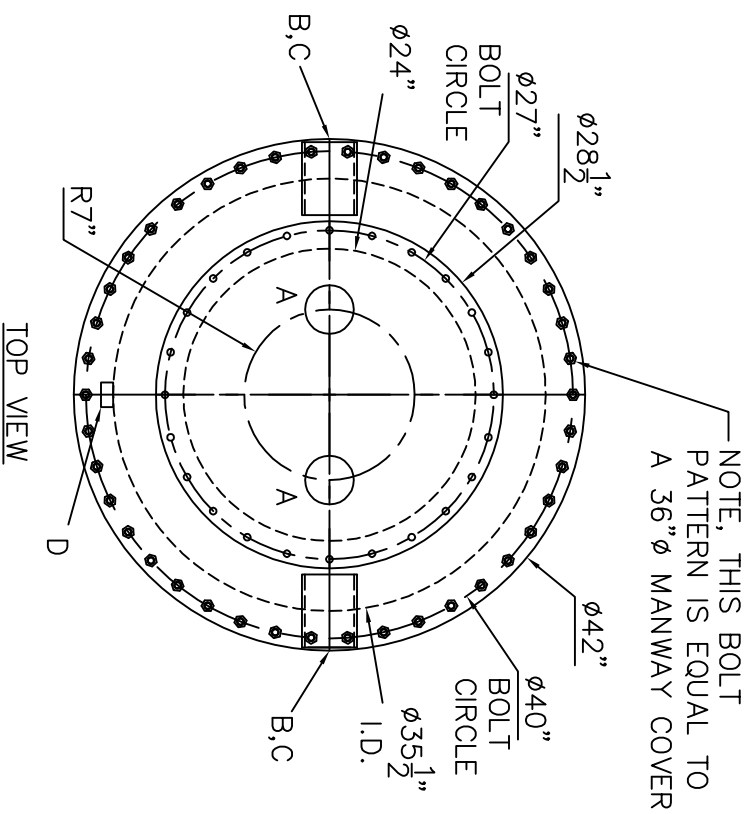
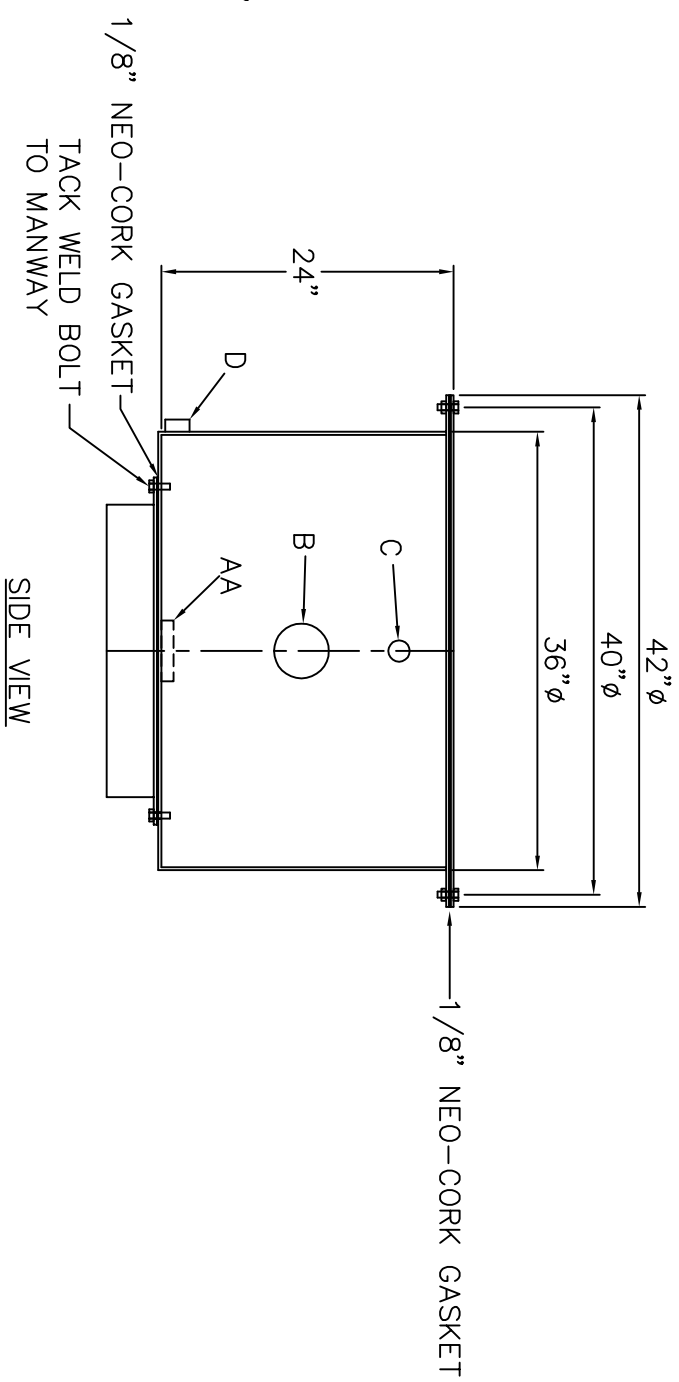
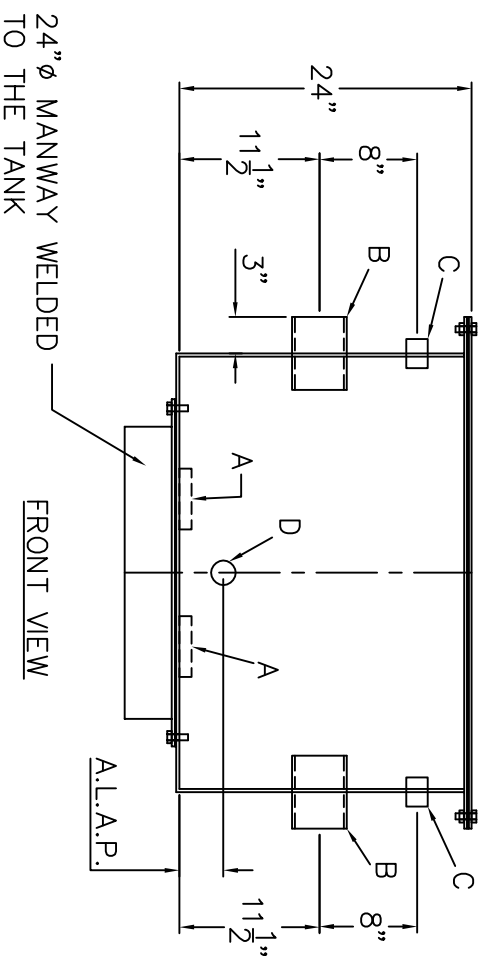


NOTE: ALL RIGHTS RESERVED. THIS DRAWING MUST NOT BE REPRODUCED IN ANY FORM WITHOUT THE WRITTEN PERMISSION OF AREO-POWER®. AREO-POWER® SHALL BE RESPONSIBLE ONLY FOR ITEMS INDICATED ON THIS FABRICATION DRAWING UNLESS OTHERWISE NOTED. CUSTOMER IS RESPONSIBLE FOR VERIFYING CORRECTNESS OF SIZE AND LOCATION OF FITTINGS, ACCESSORIES, AND COATINGS SHOWN ON THIS DRAWING.



NOTE, THIS BOLT PATTERN IS EQUAL TO A 36" ø MANWAY COVER



DESIGN DATA	
NO. REQ. --	
MATERIAL --	1/4" MILD CARBON STEEL
GASKET MATERIAL:	1/8" NEO-CORK
EXT. FINISH --	SAME AS TANK
LEGEND	
A	3" FITTING
B	4" SCH 40 PIPE x 6" LONG
C	1" FULL COUPLING
D	1" FITTING (OPTIONAL)

APPROVED BY: \_\_\_\_\_

DATE: \_\_\_\_\_

AREO-POWER: —

CHANGE MANWAY LID FITTINGS FROM FOUR 4" TO TWO 3" 9/14/09 003

**AREO-POWER®**

PATENT NUMBER 5346093

STD MANWAY EXTENSION

CUSTOMER: FERRANDINO & SON

PROJECT: FERRANDINO & SON

QUOTE NO: 239640

SCALE: 3/4"=1'-0" DATE: 9/14/09 DRWN BY: 003 DRAWING NO: 66102

TOUCH UP OF FINISHED PAINT IS REQUIRED BY INSTALLATION CONTRACTOR. TOUCH UP PAINT SHIPPED WITH TANK.