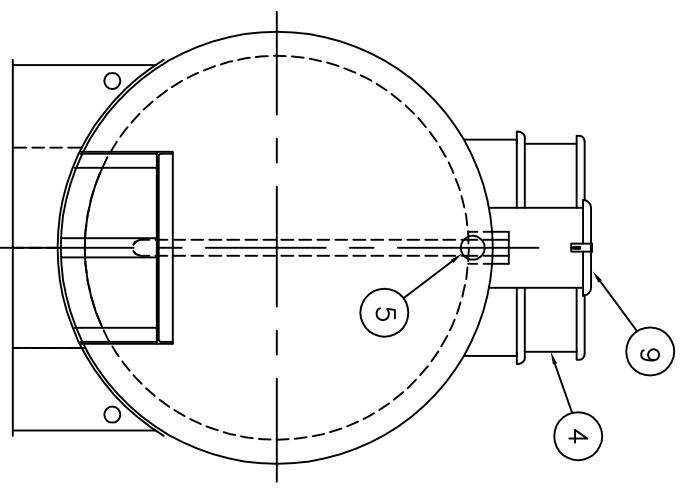
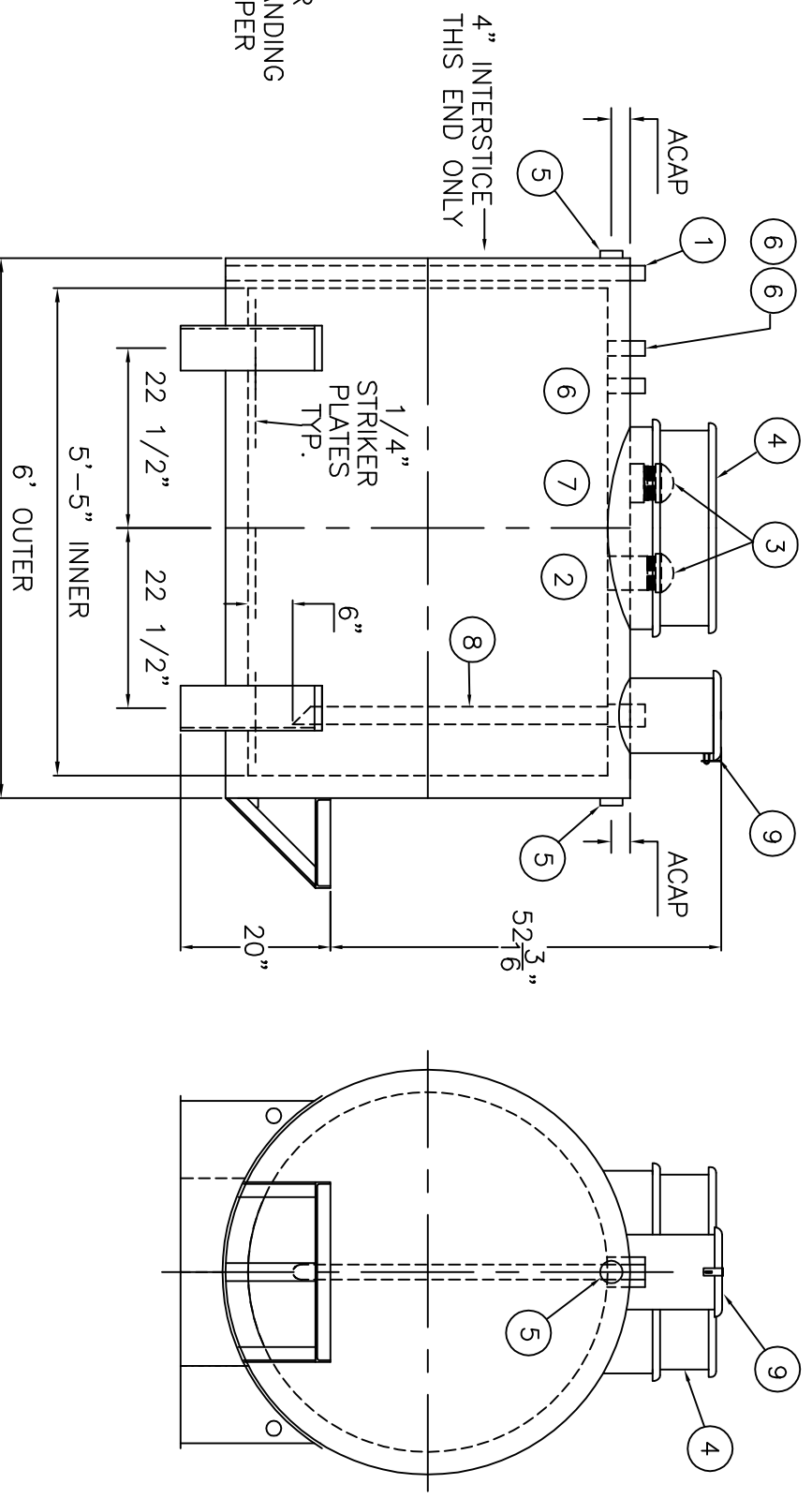
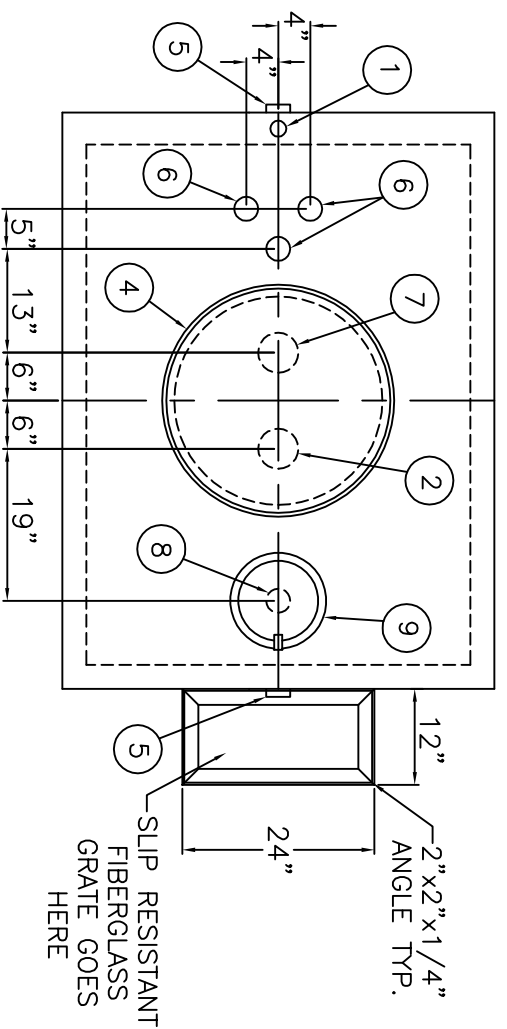
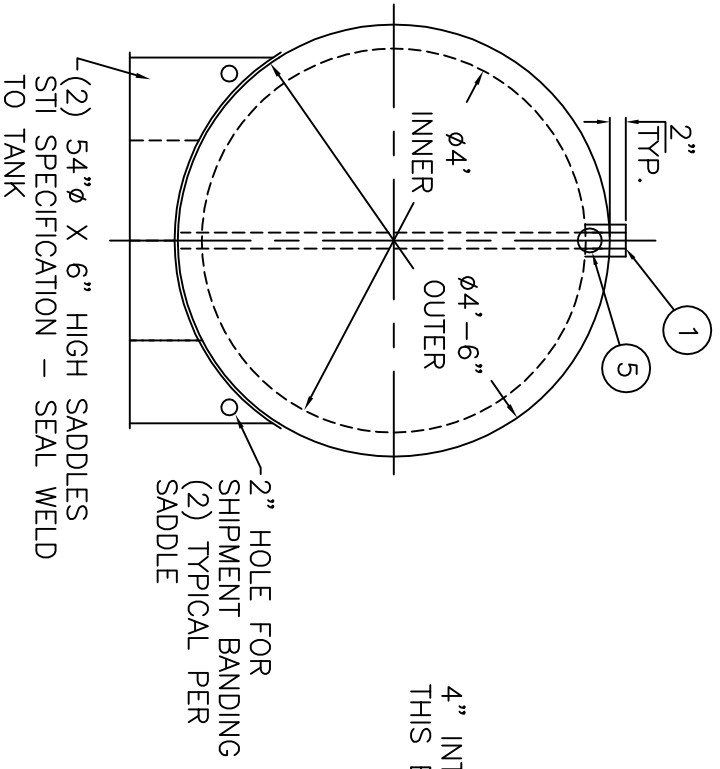
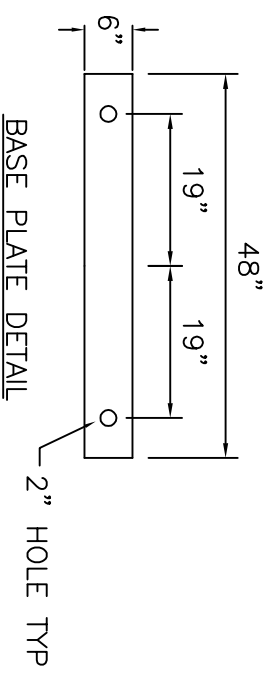


NOTE: ALL RIGHTS RESERVED. THIS DRAWING MUST NOT BE REPRODUCED IN ANY FORM WITHOUT THE WRITTEN PERMISSION OF AREO-POWER®. AREO-POWER® SHALL BE RESPONSIBLE ONLY FOR ITEMS INDICATED ON THIS FABRICATION DRAWING UNLESS OTHERWISE NOTED. CUSTOMER IS RESPONSIBLE FOR VERIFYING CORRECTNESS OF SIZE AND LOCATION OF FITTINGS, ACCESSORIES, AND COATINGS SHOWN ON THIS DRAWING.

TOUCH UP OF FINISHED PAINT IS REQUIRED BY INSTALLATION CONTRACTOR. TOUCH UP PAINT SHIPPED WITH TANK.



ITEM	QTY	DESCRIPTION	ITEM	QTY	DESCRIPTION	ITEM	QTY	DESCRIPTION
1	1	2" INTERSTITIAL MONITOR PIPE - MALE NPT END	6	3	2" FEMALE FIREGUARD COUPLING	10	-	-
2	1	4" FEMALE FIREGUARD COUPLING - FOR PRIMARY EMERGENCY VENT USE	7	1	4" FITTING THROUGH OUTER SHELL ONLY, MARK WITH SPECIAL WARNING LABEL INTERSTITIAL EMERGENCY VENT USE ONLY	11	-	-
3	2	4" EMERGENCY VENT	8	1	2" FEMALE FIREGUARD COUPLING w/ 2" DROP PIPE TO WITHIN 6" OF THE BOTTOM OF THE TANK WITH 45° MITER	12	-	-
4	1	VENT DEFLECTOR ASSEMBLY	9	1	FILL CONTAINMENT CHAMBER			
5	2	2" FITTING THROUGH OUTER SHELL ONLY WITH CAST IRON PLUG- MFG USE ONLY						

3" LIGHTWEIGHT INSULATION MATERIAL WITHIN INTERSTICE

DESIGN DATA

CAPACITY : 500 GALLONS
 TYPE: FIREGUARD® CYLINDRICAL
 FIREGUARD® IS A TRADEMARK OF WITH THE STEEL TANK INSTITUTE
 NO. REQ. - -
 OPERATING PRESSURE - ATMOSPHERIC
 TANK MATERIAL - MILD CARBON STEEL
 THICKNESS - INNER - 10 GAUGE
 THICKNESS - OUTER - 7 GAUGE
 MIN. GAUGE OR THICKNESS (PER U.L. 2085)
 CONSTRUCTION - INNER - LAP WELD OUTSIDE ONLY
 CONSTRUCTION - OUTER - LAP WELD OUTSIDE ONLY
 TANK TEST - PER UL 2085
 INT. FINISH - NONE
 EXT. FINISH - SP-6 BLAST, FINISH PAINT WHITE
 LABEL- UL 2085 AND FIREGUARD® PER sti

NOTES

1. ALL DIMENSIONS APPROXIMATE
2. LIQUID LEVEL NOT TO EXCEED 95% TANK CAPACITY

SHIP LOOSE
 (2) 4" MALE THREADED EMERGENCY VENTS

AREO-POWER®
 U.S. PATENT # 4895272 CANADIAN PATENT APPLIED FOR

500 GALLON 48" ϕ CYL. FIREGUARD®

PATENT: 5,695,089 PATENT: 5,809,650
 CUSTOMER:
 PROJECT:
 QUOTE NO:
 SCALE: 1/2" = 12"
 DATE: DVG. BY: AP500FG48CYL