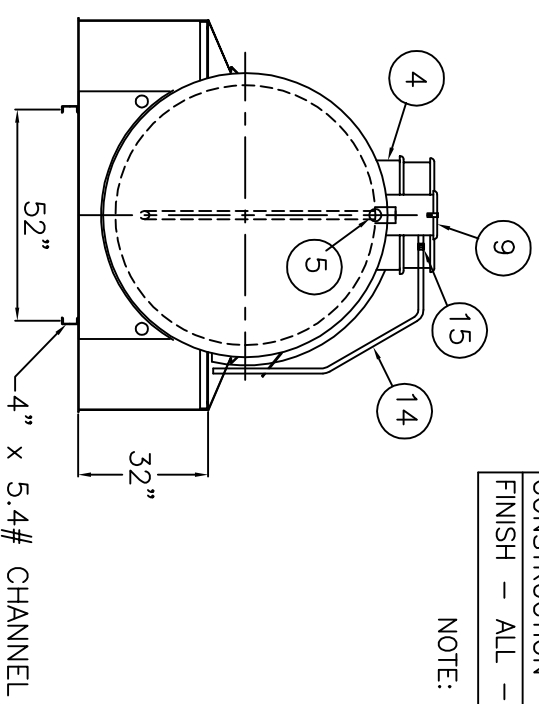
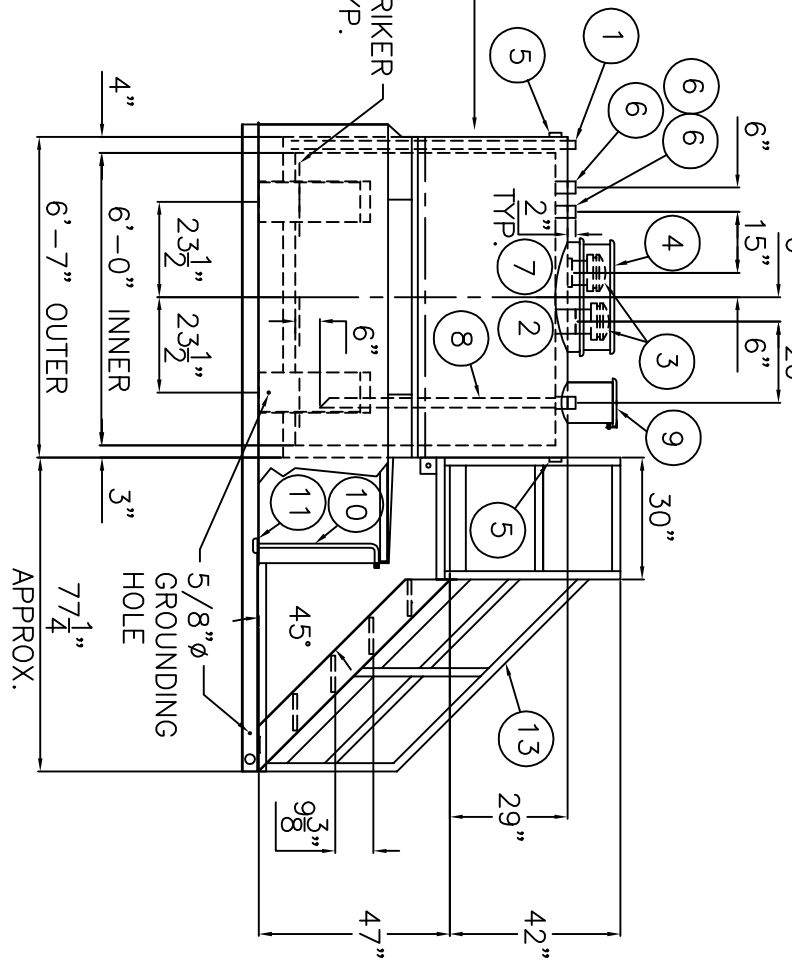
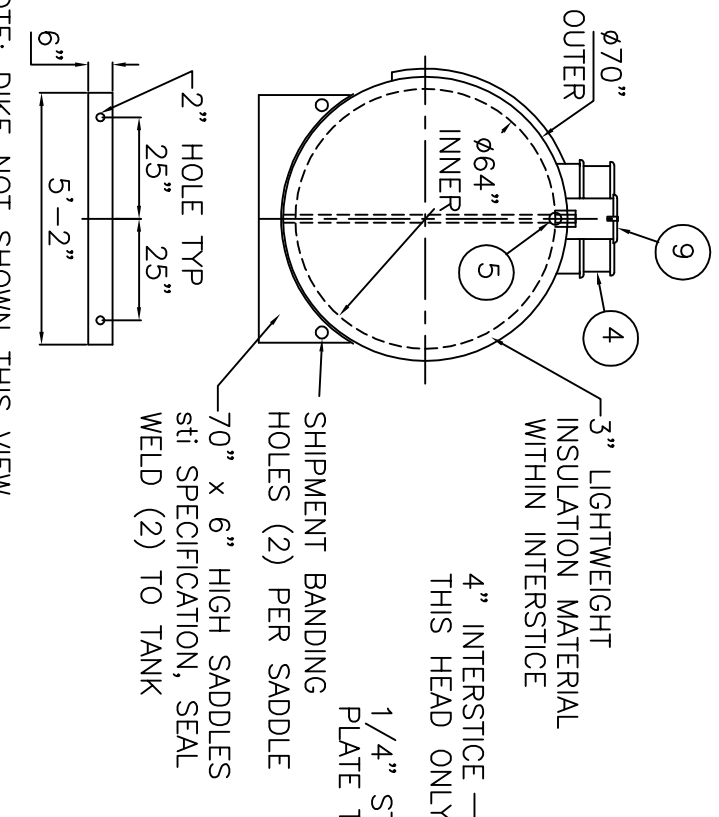
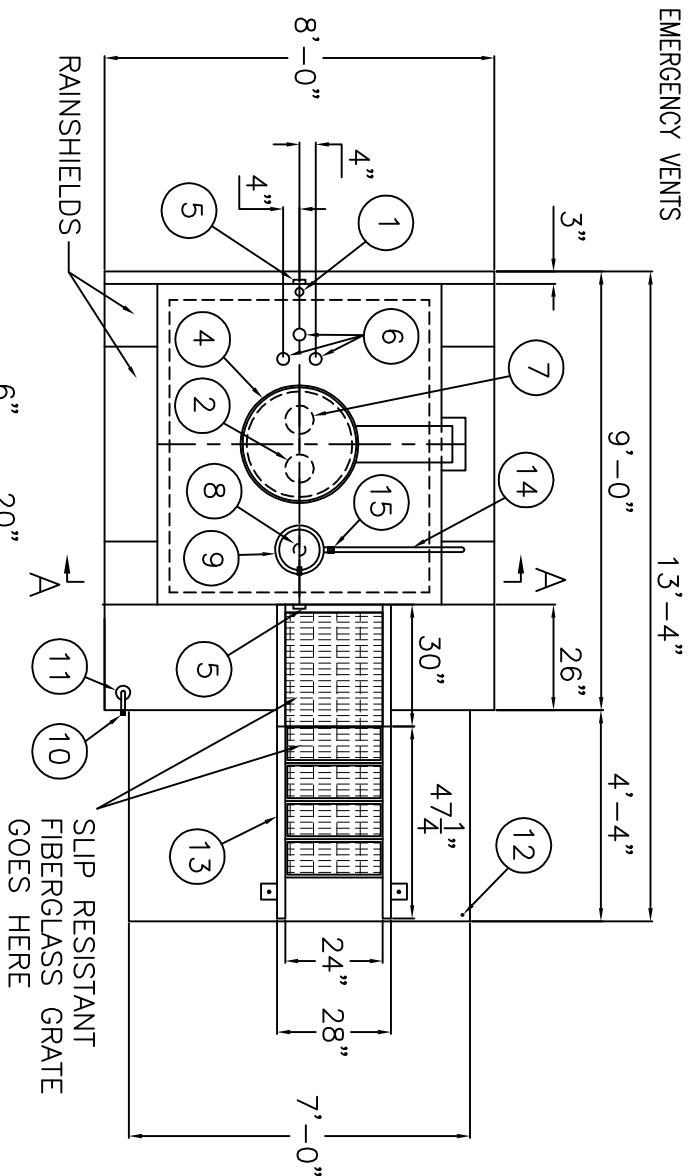
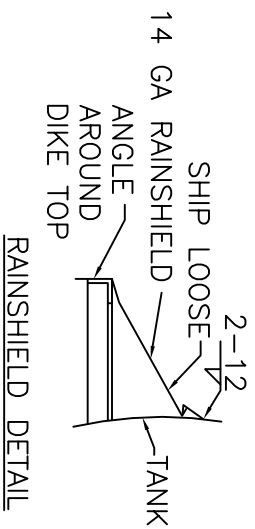


NOTE: ALL RIGHTS RESERVED. THIS DRAWING MUST NOT BE REPRODUCED IN ANY FORM WITHOUT THE WRITTEN PERMISSION OF AREO-POWER®. AREO-POWER® SHALL BE RESPONSIBLE ONLY FOR ITEMS INDICATED ON THIS FABRICATION DRAWING UNLESS OTHERWISE NOTED. CUSTOMER IS RESPONSIBLE FOR VERIFYING CORRECTNESS OF SIZE AND LOCATION OF FITTINGS, ACCESSORIES, AND COATINGS SHOWN ON THIS DRAWING.

TOUCH UP OF FINISHED PAINT IS REQUIRED BY INSTALLATION CONTRACTOR. TOUCH UP PAINT SHIPPED WITH TANK.

SHIP LOOSE

- (2) 6" MALE THREADED EMERGENCY VENTS
- (1) VENT DEFLECTOR



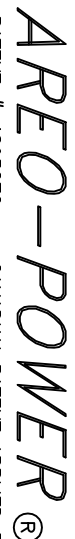
NOTE: DIKE NOT SHOWN THIS VIEW

ITEM	QTY	DESCRIPTION	ITEM	QTY	DESCRIPTION	ITEM	QTY	DESCRIPTION
1	1	2" INTERSTITIAL MONITOR PIPE - MALE NPT END	7	1	6" FITTING THROUGH OUTER SHELL ONLY, MARK WITH SPECIAL WARNING LABEL INTERSTITIAL EMERGENCY VENT USE ONLY	11	1	3" PIPE CAP SUMP
2	1	6" FEMALE FIREGUARD COUPLING - FOR PRIMARY EMERGENCY VENT USE	8	1	2" FEMALE FIREGUARD COUPLING w/ 2" DROP PIPE TO WITHIN 6" OF THE BOTTOM OF THE TANK WITH 45° MITER	12	1	1/2" DRAIN FITTING
3	2	6" EMERGENCY VENT (SHIP LOOSE)	9	1	FILL CONTAINMENT CHAMBER	13	1	24" WIDE x 47" HIGH BOLT TO TANK STAIRS & 24" WIDE x 30" LONG PLATFORM w/ 1" FIBERGLASS GRATING, SHIP LOOSE, INSTALLATION ON SITE BY OTHERS.
4	1	VENT DEFLECTOR ASSEMBLY	10	1	3/4" PUMPOUT PIPE	14	1	1" OVER FLOW PIPE
5	2	2" FITTING THROUGH OUTER SHELL ONLY WITH CAST IRON PLUG- MFG USE ONLY	15	1	1" PIPE UNION			
6	3	2" FEMALE FIREGUARD COUPLING						

DESIGN DATA

CAPACITY : 1,000 GALLONS	
TYPE: FIREGUARD® CYLINDRICAL	
FIREGUARD® IS A TRADEMARK OF WITH THE STEEL TANK INSTITUTE	
NO. REQ. --	
OPERATING PRESSURE - ATMOSPHERIC	
TANK MATERIAL - MILD CARBON STEEL	
THICKNESS - INNER - HEADS AND SHELL - 7 GAUGE	
THICKNESS - OUTER - HEADS AND SHELL - 7 GAUGE	
MIN. GAUGE OR THICKNESS (PER U.L. 2085)	
CONSTRUCTION - INNER - LAP WELD OUTSIDE ONLY	
CONSTRUCTION - OUTER - LAP WELD OUTSIDE ONLY	
TANK TEST - PER UL 2085	
INT. FINISH - NONE	
EXT. FINISH - SP-6 BLAST, FINISH PAINT WHITE	
LABEL- UL 2085 AND FIREGUARD® PER stl	
DIKE DESIGN DATA	
CAPACITY - 1,436 GALLONS	
TANK MATERIAL - MILD CARBON STEEL	
THICKNESS - ALL - 7 GAUGE	
CONSTRUCTION - WELDED INSIDE & OUTSIDE	
FINISH - ALL - SAME AS TANK EXTERIOR	

NOTE: ALL DIMENSIONS APPROXIMATE


 U.S. PATENT # 4895272 CANADIAN PATENT APPLIED FOR
1,000 GAL 64" Ø CYL. FIREGUARD®
 PATENT: 5,695,089 PATENT: 5,809,650
 CUSTOMER:
 PROJECT:
 QUOTE NO.:
 SCALE: DATE: DIV. BY: DIV. NO.:
 1/4" = 12" AP1000FC64DIKE