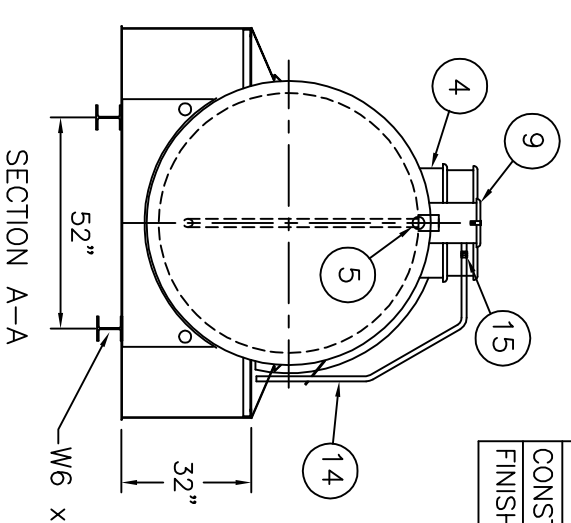
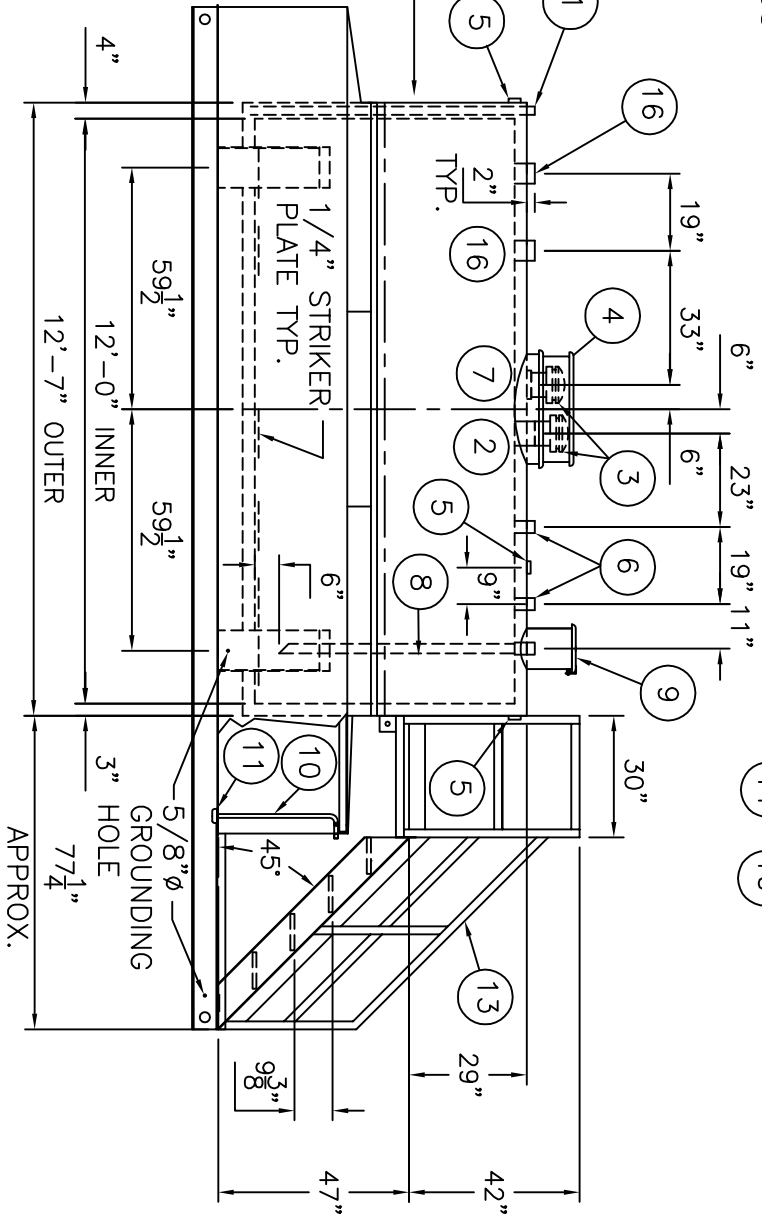
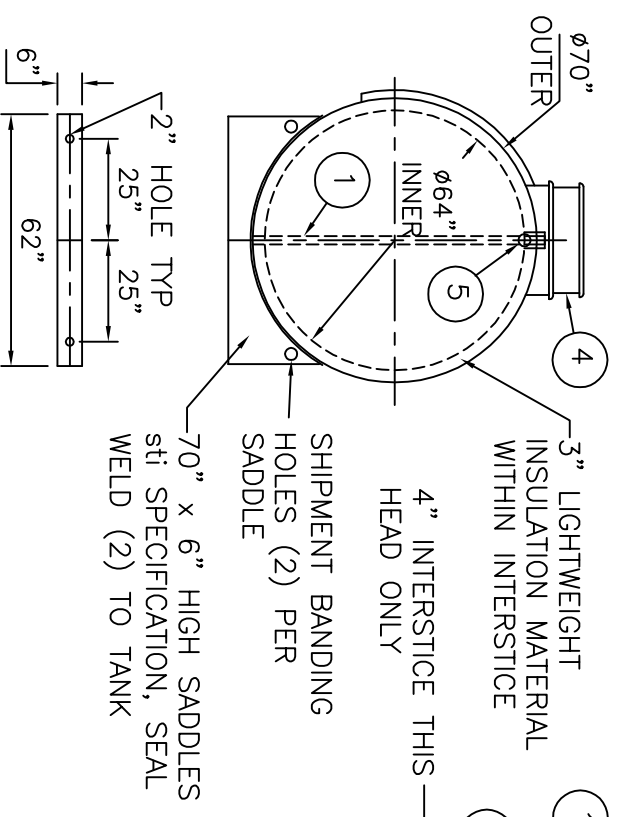
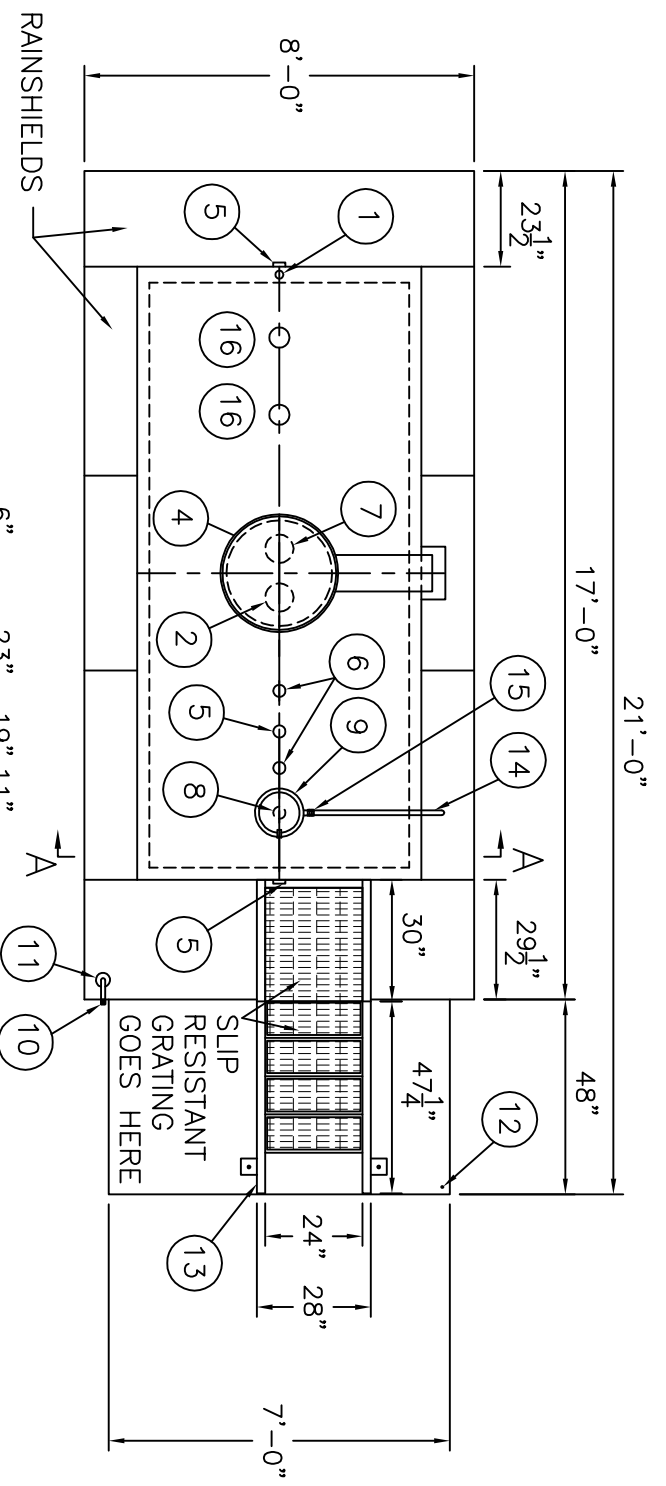
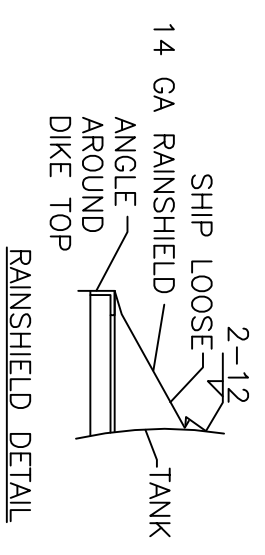


NOTE: ALL RIGHTS RESERVED. THIS DRAWING MUST NOT BE REPRODUCED IN ANY FORM WITHOUT THE WRITTEN PERMISSION OF AREO-POWER®. AREO-POWER® SHALL BE RESPONSIBLE ONLY FOR ITEMS INDICATED ON THIS FABRICATION DRAWING UNLESS OTHERWISE NOTED. CUSTOMER IS RESPONSIBLE FOR VERIFYING CORRECTNESS OF SIZE AND LOCATION OF FITTINGS, ACCESSORIES, AND COATINGS SHOWN ON THIS DRAWING.

TOUCH UP OF FINISHED PAINT IS REQUIRED BY INSTALLATION CONTRACTOR. TOUCH UP PAINT SHIPPED WITH TANK.

SHIP LOOSE
 (2) 6" MALE THREADED EMERGENCY VENTS
 (1) VENT DEFLECTOR



NOTE: DIKE NOT SHOWN THIS VIEW

ITEM	QTY	DESCRIPTION
1	1	2" INTERSTITIAL MONITOR PIPE - MALE NPT END
2	1	6" FEMALE FIREGUARD COUPLING - FOR PRIMARY EMERGENCY VENT USE
3	2	6" EMERGENCY VENT (SHIP LOOSE)
4	1	VENT DEFLECTOR & CHUTE ASSEMBLY
5	3	2" FITTING THROUGH OUTER SHELL ONLY WITH CAST IRON PLUG- MFG USE ONLY
6	2	2" FEMALE FIREGUARD COUPLING

ITEM	QTY	DESCRIPTION
7	1	6" FITTING THROUGH OUTER SHELL ONLY, MARK WITH SPECIAL WARNING LABEL INTERSTITIAL EMERGENCY VENT USE ONLY
8	1	2" FEMALE FIREGUARD COUPLING w/ 2" DROP PIPE TO WITHIN 6" OF THE BOTTOM OF THE TANK WITH 45° MITER
9	1	FILL CONTAINMENT CHAMBER
10	1	3/4" PUMPOUT PIPE
11	1	3" PIPE CAP SUMP

ITEM	QTY	DESCRIPTION
12	1	1/2" DRAIN FITTING
13	1	24" WIDE x 47" HIGH BOLT TO TANK STAIRS & 24" WIDE x 30" LONG PLATFORM w/ 1" FIBERGLASS GRATING, SHIP LOOSE, INSTALLATION ON SITE BY OTHERS.
14	1	1" OVER FLOW PIPE
15	1	1" PIPE UNION
16	2	4" FEMALE FIREGUARD COUPLING

DESIGN DATA

CAPACITY : 2,000 GALLONS
TYPE: FIREGUARD® CYLINDRICAL
FIREGUARD® IS A TRADEMARK OF WITH THE STEEL TANK INSTITUTE
NO. REQ. --
OPERATING PRESSURE - ATMOSPHERIC
TANK MATERIAL - MILD CARBON STEEL
THICKNESS - INNER - HEADS AND SHELL - 7 GAUGE
THICKNESS - OUTER - HEADS AND SHELL - 7 GAUGE
MIN. GAUGE OR THICKNESS (PER U.L. 2085)
CONSTRUCTION - INNER - LAP WELD OUTSIDE ONLY
CONSTRUCTION - OUTER - LAP WELD OUTSIDE ONLY
TANK TEST - PER UL 2085
INT. FINISH - NONE
EXT. FINISH - SP-6 BLAST, FINISH PAINT WHITE
LABEL- UL 2085 AND FIREGUARD® PER stl

DIKE DESIGN DATA

CAPACITY - 2,700 GALLONS
TANK MATERIAL - MILD CARBON STEEL
THICKNESS - ALL - 1/4"
CONSTRUCTION - WELDED INSIDE & OUTSIDE
FINISH - ALL - SAME AS TANK EXTERIOR

NOTE: ALL DIMENSIONS APPROXIMATE

AREO-POWER®

U.S. PATENT # 4895272 CANADIAN PATENT APPLIED FOR

2,000 GAL 64" Ø CYL. FIREGUARD®

PATENT: 5,695,089 PATENT: 5,809,650

CUSTOMER: _____

PROJECT: _____

QUOTE NO: _____

SCALE: 1/4" = 12"

DATE: _____

DWG. BY: _____

CHK'D BY: _____

AP2000FC64DIKE