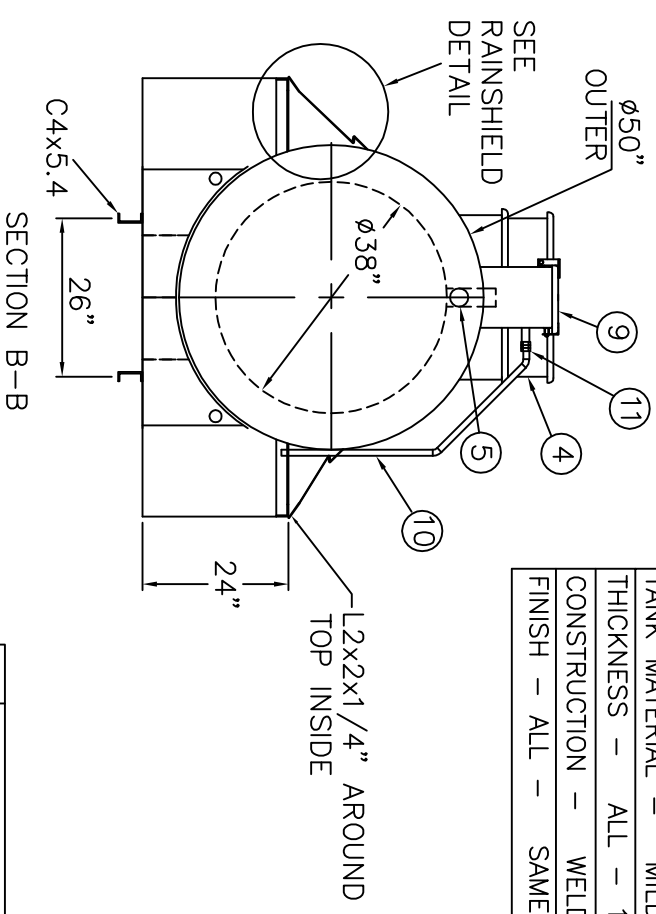
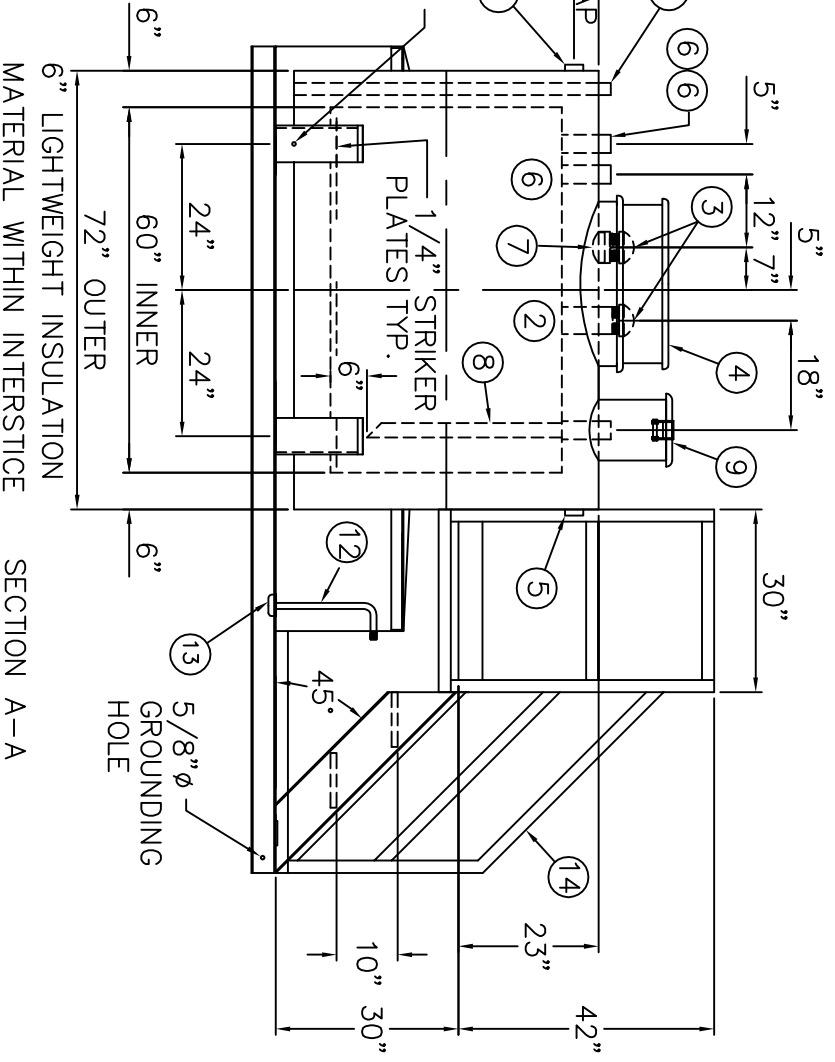
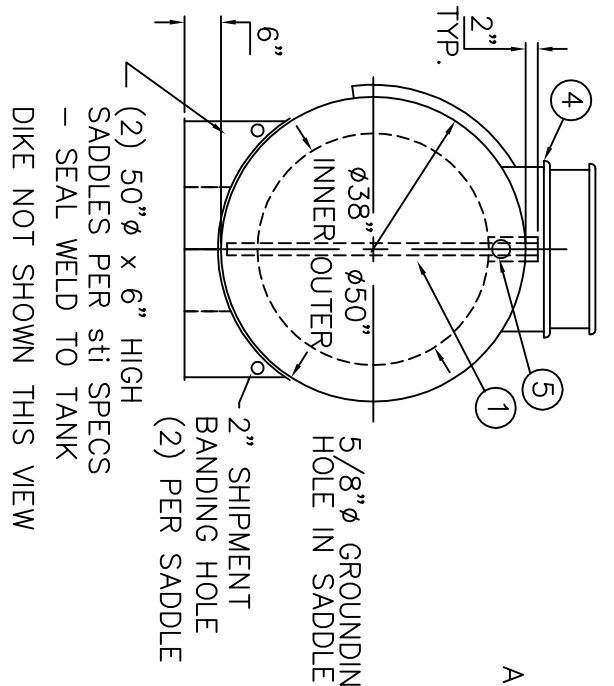
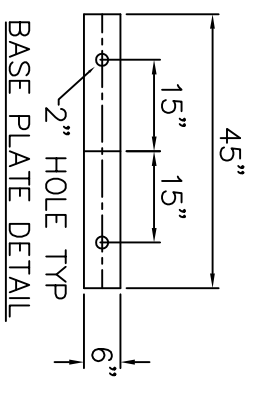
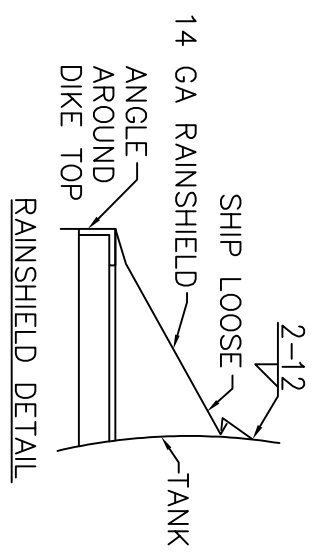
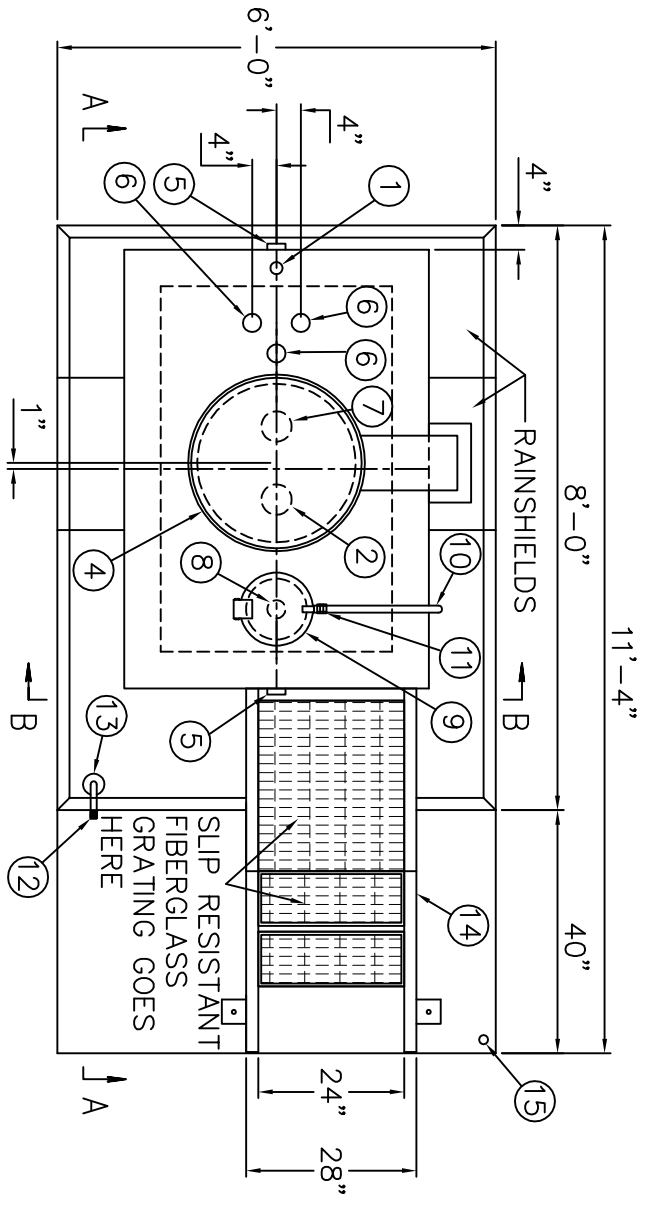


NOTE: ALL RIGHTS RESERVED. THIS DRAWING MUST NOT BE REPRODUCED IN ANY FORM WITHOUT THE WRITTEN PERMISSION OF AREO-POWER®. AREO-POWER® SHALL BE RESPONSIBLE ONLY FOR ITEMS INDICATED ON THIS FABRICATION DRAWING UNLESS OTHERWISE NOTED. CUSTOMER IS RESPONSIBLE FOR VERIFYING CORRECTNESS OF SIZE AND LOCATION OF FITTINGS, ACCESSORIES, AND COATINGS SHOWN ON THIS DRAWING.

TOUCH UP OF FINISHED PAINT IS REQUIRED BY INSTALLATION CONTRACTOR. TOUCH UP PAINT SHIPPED WITH TANK.

SHIP LOOSE  
 (2) 4" MALE THREADED EMERGENCY VENTS  
 (1) VENT DEFLECTOR



DESIGN DATA	
CAPACITY :	294 GALLONS
TYPE:	FIREGUARD® CYLINDRICAL
FIREGUARD® IS A TRADEMARK OF WITH THE STEEL TANK INSTITUTE	
NO. REQ. --	--
OPERATING PRESSURE --	ATMOSPHERIC
TANK MATERIAL --	MILD CARBON STEEL
THICKNESS -- INNER --	10 GAUGE
THICKNESS -- OUTER --	7 GAUGE
MIN. GAUGE OR THICKNESS (PER U.L. 2085)	
CONSTRUCTION -- INNER --	LAP WELD OUTSIDE ONLY
CONSTRUCTION -- OUTER --	LAP WELD OUTSIDE ONLY
TANK TEST --	PER UL 2085
INT. FINISH --	NONE
EXT. FINISH --	SP-6 BLAST, FINISH PAINT WHITE
LABEL --	UL 2085 AND FIREGUARD® PER st
DIKE DESIGN DATA	
CAPACITY --	700 GALLONS
TANK MATERIAL --	MILD CARBON STEEL
THICKNESS --	ALL -- 10 GAUGE
CONSTRUCTION --	WELDED INSIDE & OUTSIDE
FINISH --	ALL -- SAME AS TANK EXTERIOR

ITEM	QTY	DESCRIPTION	ITEM	QTY	DESCRIPTION	ITEM	QTY	DESCRIPTION
1	1	2" INTERSTITIAL MONITOR PIPE - MALE NPT END	7	1	4" FITTING THROUGH OUTER SHELL ONLY, MARK WITH SPECIAL WARNING LABEL INTERSTITIAL EMERGENCY VENT USE ONLY	12	1	3/4" PUMPOUT PIPE
2	1	4" FEMALE FIREGUARD COUPLING - FOR PRIMARY EMERGENCY VENT USE	8	1	2" FEMALE FIREGUARD COUPLING w/ 2" DROP PIPE TO WITHIN 6" OF THE BOTTOM OF THE TANK WITH 45° MITER	13	1	3/4" PIPE CAP SUMP
3	2	4" EMERGENCY VENT (SHIP LOOSE)				14	1	24" WIDE x 30" LONG PLATFORM w/ 1" FIBERGLASS GRATING, SHIP LOOSE, INSTALLATION ON SITE BY OTHERS.
4	1	VENT DEFLECTOR ASSEMBLY & CHUTE - SHIP LOOSE	9	1	FILL CONTAINMENT CHAMBER	15	1	1/2" FITTING IN THE PUMP PAN
5	2	2" FITTING THROUGH OUTER SHELL ONLY WITH CAST IRON PLUG - MFG USE ONLY	10	1	1" OVER FLOW PIPE	16	-	-
6	3	2" FEMALE FIREGUARD COUPLING	11	1	1" PIPE UNION			

**AREO-POWER®**

U.S. PATENT # 4895272      CANADIAN PATENT APPLIED FOR

**300 GALLON CYL. FIREGUARD® DIKE**

PATENT: 5,695,089      PATENT: 5,809,650

CUSTOMER:

PROJECT:

QUOTE NO:

SCALE: DATE: DVG. BY:      DVG. NO:      DVG. BY:

AP300FG38DIKE