

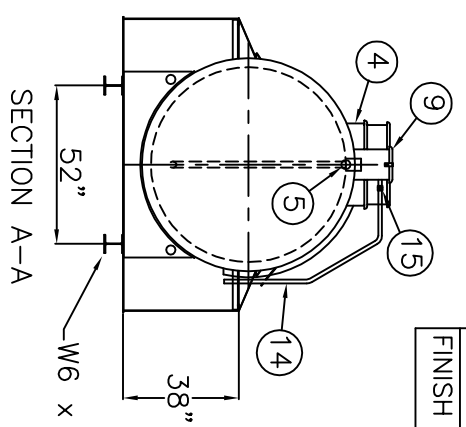
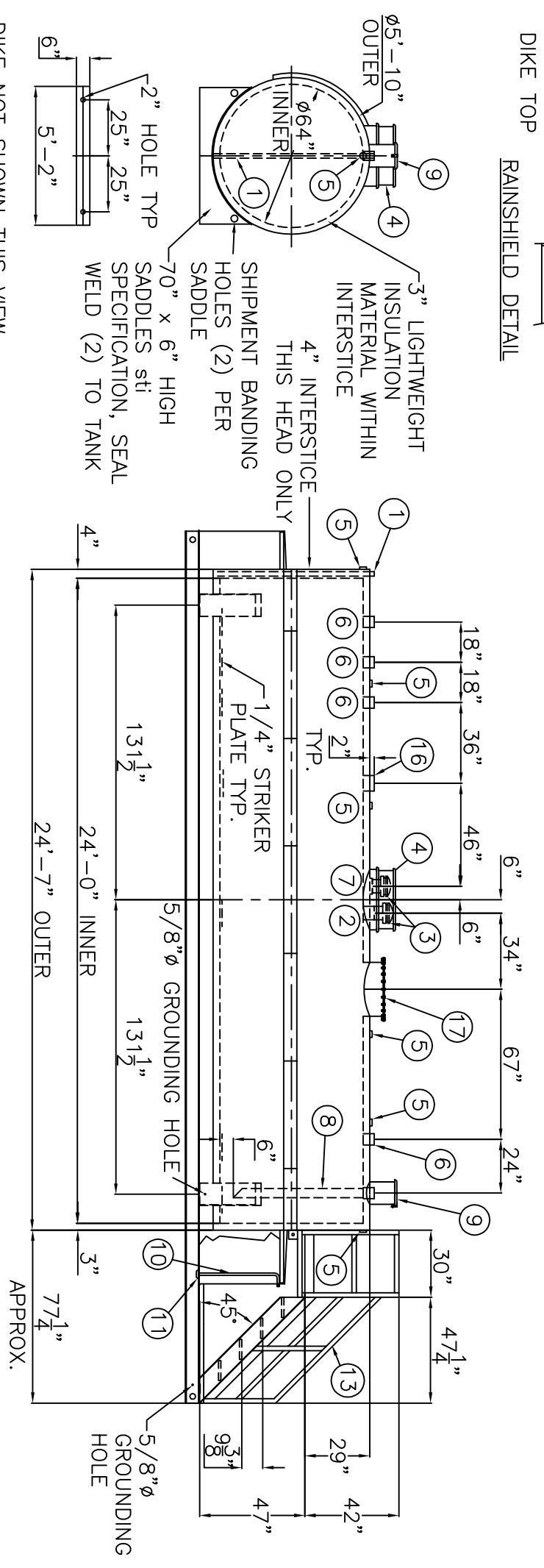
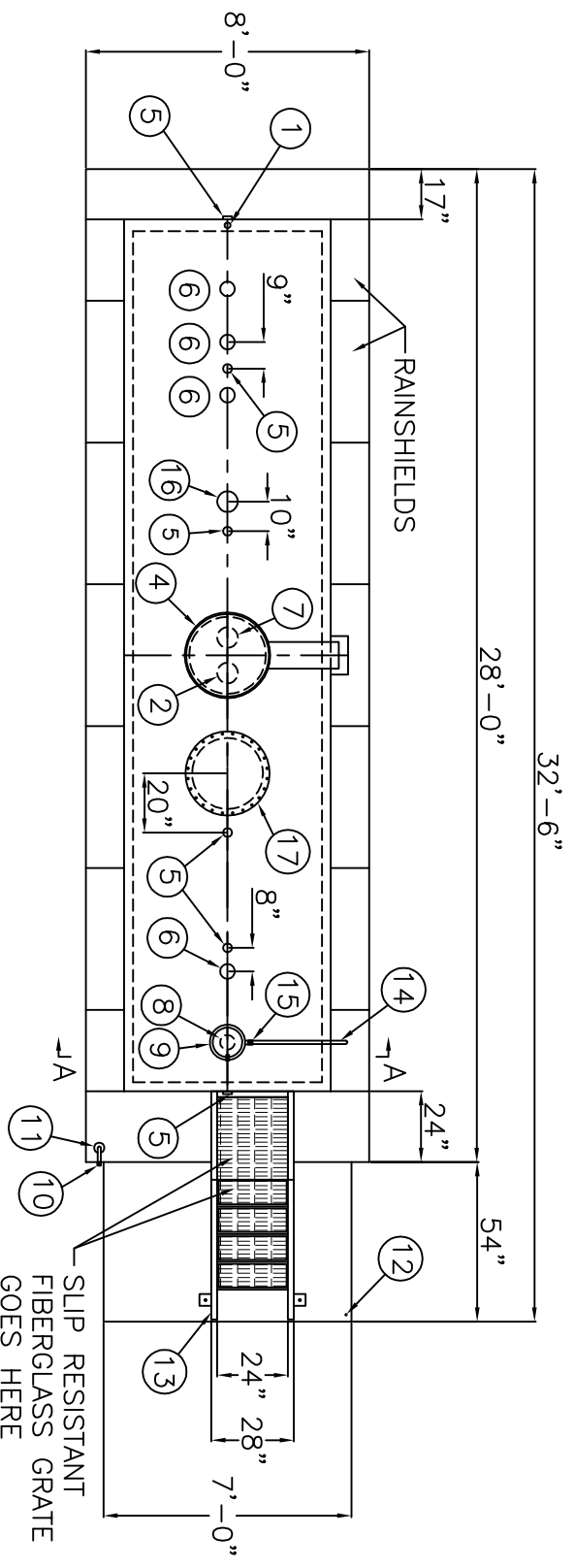
NOTE: ALL RIGHTS RESERVED. THIS DRAWING MUST NOT BE REPRODUCED IN ANY FORM WITHOUT THE WRITTEN PERMISSION OF AREO-POWER®. AREO-POWER® SHALL BE RESPONSIBLE ONLY FOR ITEMS INDICATED ON THIS FABRICATION DRAWING UNLESS OTHERWISE NOTED. CUSTOMER IS RESPONSIBLE FOR VERIFYING CORRECTNESS OF SIZE AND LOCATION OF FITTINGS, ACCESSORIES, AND COATINGS SHOWN ON THIS DRAWING.

TOUCH UP OF FINISHED PAINT IS REQUIRED BY INSTALLATION CONTRACTOR. TOUCH UP PAINT SHIPPED WITH TANK.

SHIP LOOSE

(2) 6" MALE THREADED EMERGENCY VENTS
(1) VENT DEFLECTOR

SHIP LOOSE
14 GA RAINSHIELD
ANGLE AROUND
DIKE TOP
RAINSHIELD DETAIL
TANK



DIKE NOT SHOWN THIS VIEW

| ITEM | QTY | DESCRIPTION | ITEM | QTY | DESCRIPTION | ITEM | QTY | DESCRIPTION |
|------|-----|---|------|-----|---|------|-----|--|
| 1 | 1 | 2" INTERSTITIAL MONITOR PIPE - MALE NPT END | 7 | 1 | 6" FITTING THROUGH OUTER SHELL ONLY, MARK WITH SPECIAL WARNING LABEL INTERSTITIAL EMERGENCY VENT USE ONLY | 13 | 1 | 24" WIDE x 47" HIGH BOLT TO TANK STAIRS & 24" WIDE x 30" LONG PLATFORM w/ 1" FIBERGLASS GRATING, SHIP LOOSE, INSTALLATION ON SITE BY OTHERS. |
| 2 | 1 | 6" FEMALE FIREGUARD COUPLING - FOR PRIMARY EMERGENCY VENT USE | 8 | 1 | 4" FEMALE FIREGUARD COUPLING w/ 4" DROP PIPE TO WITHIN 6" OF THE BOTTOM OF THE TANK WITH 45° MITER | 14 | 1 | 1" OVER FLOW PIPE |
| 3 | 2 | 6" EMERGENCY VENT (SHIP LOOSE) | 9 | 1 | FILL CONTAINMENT CHAMBER | 15 | 1 | 1" PIPE UNION |
| 4 | 1 | VENT DEFLECTOR & CHUTE ASSEMBLY | 10 | 1 | 3/4" PUMP/OUT PIPE | 16 | 1 | 6" FEMALE FIREGUARD COUPLING |
| 5 | 6 | 2" FITTING THROUGH OUTER SHELL ONLY WITH CAST IRON PLUG- MFG USE ONLY | 11 | 1 | 3" PIPE CAP SUMP | 17 | 1 | 24"Ø MANWAY w/ 1/8" NEO-CORK GASKET |
| 6 | 4 | 4" FEMALE FIREGUARD COUPLING | 12 | 1 | 1/2" DRAIN FITTING | | | |

DESIGN DATA

CAPACITY : 4,000 GALLONS
TYPE: FIREGUARD® CYLINDRICAL
FIREGUARD® IS A TRADEMARK OF WITH THE STEEL TANK INSTITUTE
NO. REQ. --
OPERATING PRESSURE - ATMOSPHERIC
TANK MATERIAL - MILD CARBON STEEL
THICKNESS - INNER - HEADS AND SHELL - 7 GAUGE
THICKNESS - OUTER - HEADS AND SHELL - 7 GAUGE
MIN. GAUGE OR THICKNESS (PER U.L. 2085)
CONSTRUCTION - INNER - LAP WELD OUTSIDE ONLY
CONSTRUCTION - OUTER - LAP WELD OUTSIDE ONLY
TANK TEST - PER UL 2085
INT. FINISH - NONE
EXT. FINISH - SP-6 BLAST, FINISH PAINT WHITE
LABEL- UL 2085 AND FIREGUARD® PER stl

DIKE DESIGN DATA

CAPACITY - 5,300 GALLONS
TANK MATERIAL - MILD CARBON STEEL
THICKNESS - ALL - 1/4"
CONSTRUCTION - WELDED INSIDE & OUTSIDE
FINISH - ALL - SAME AS TANK EXTERIOR

NOTE: ALL DIMENSIONS APPROXIMATE

AREO-POWER®
U.S. PATENT # 4895272 CANADIAN PATENT APPLIED FOR
4,000 GAL 64"Ø CYL. FIREGUARD®
PATENT: 5,695,089 PATENT: 5,809,650
CUSTOMER:
PROJECT:
QUOTE NO:
SCALE: DATE: DIV. BY: AP4000FC64DIKE
CHK'D BY: