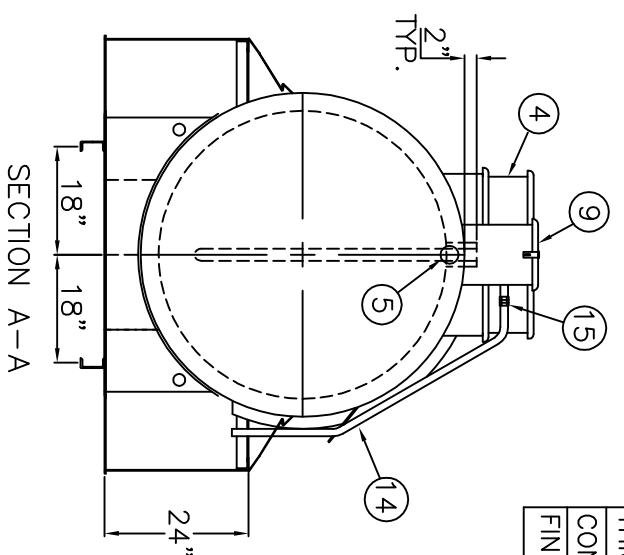
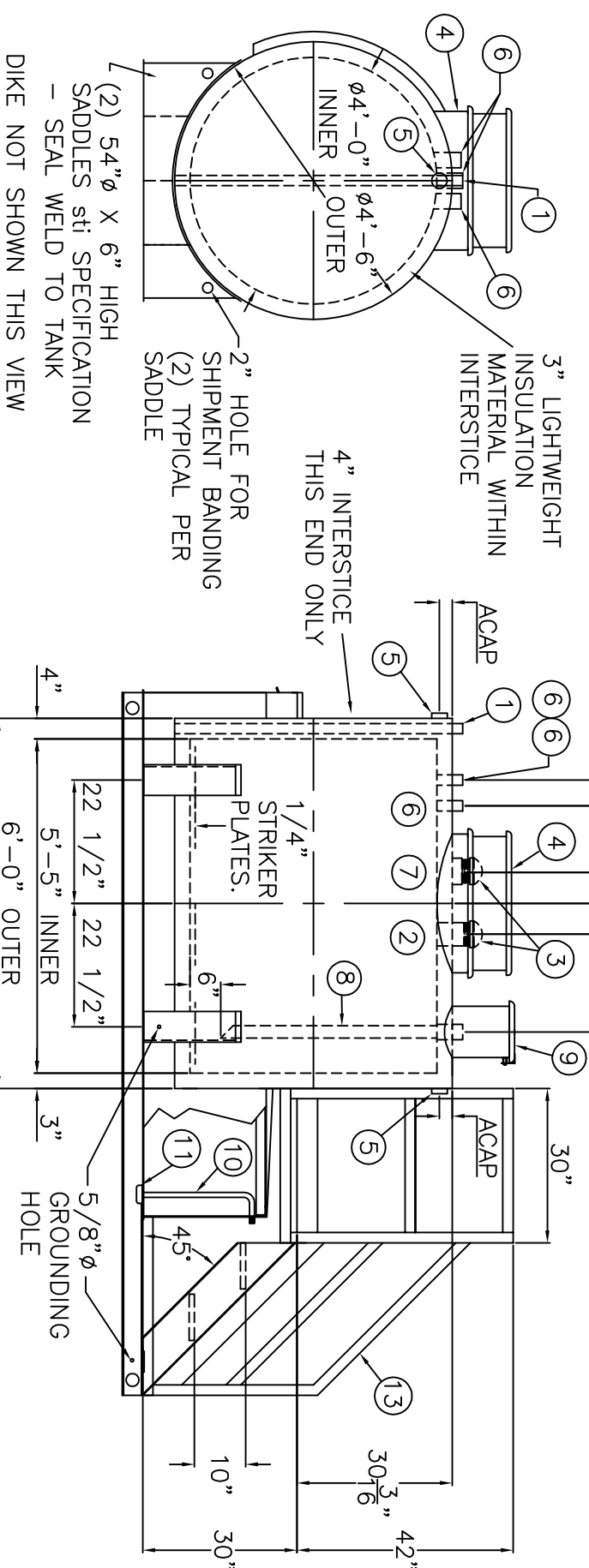
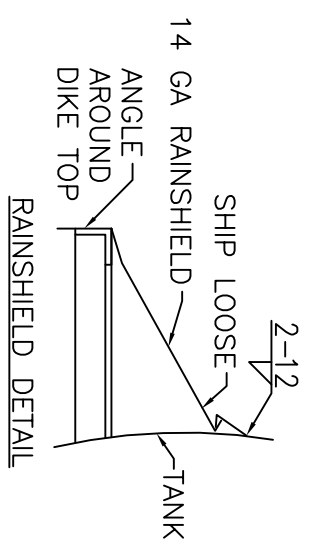
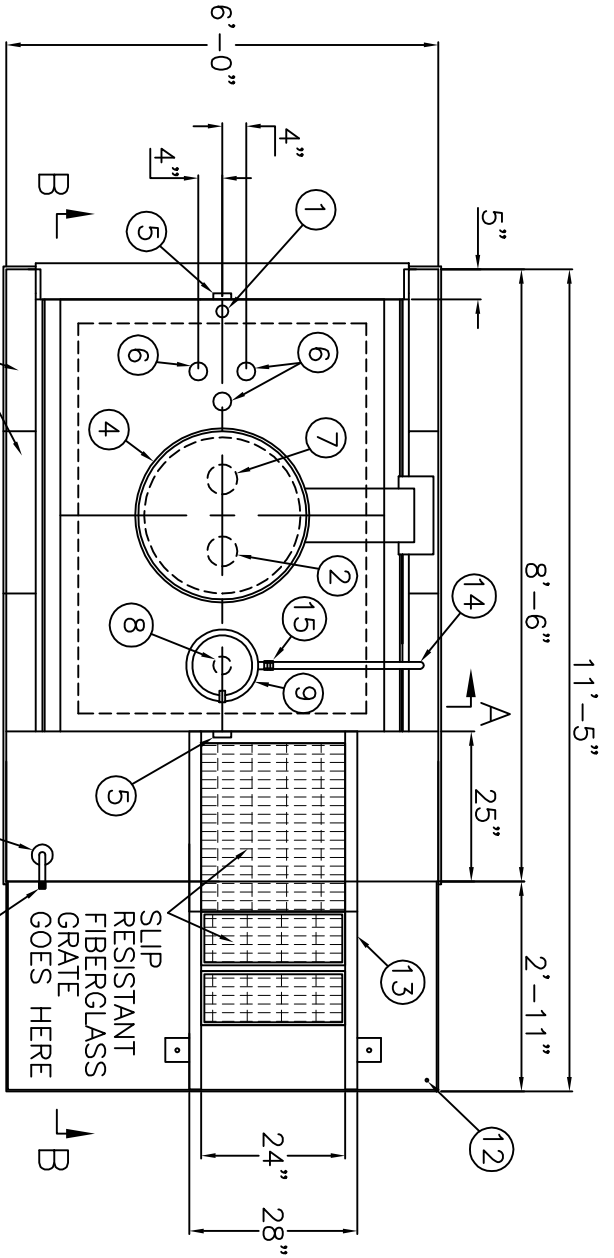
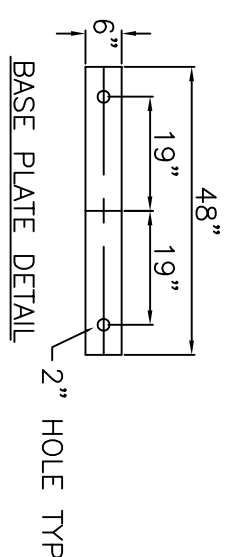


NOTE: ALL RIGHTS RESERVED. THIS DRAWING MUST NOT BE REPRODUCED IN ANY FORM WITHOUT THE WRITTEN PERMISSION OF AREO-POWER®. AREO-POWER® SHALL BE RESPONSIBLE ONLY FOR ITEMS INDICATED ON THIS FABRICATION DRAWING UNLESS OTHERWISE NOTED. CUSTOMER IS RESPONSIBLE FOR VERIFYING CORRECTNESS OF SIZE AND LOCATION OF FITTINGS, ACCESSORIES, AND COATINGS SHOWN ON THIS DRAWING.

TOUCH UP OF FINISHED PAINT IS REQUIRED BY INSTALLATION CONTRACTOR. TOUCH UP PAINT SHIPPED WITH TANK.



DESIGN DATA	
CAPACITY :	500 GALLONS
TYPE:	FIREGUARD® CYLINDRICAL
FIREGUARD® IS A TRADEMARK OF WITH THE STEEL TANK INSTITUTE	
NO. REQ. --	--
OPERATING PRESSURE --	ATMOSPHERIC
TANK MATERIAL --	MILD CARBON STEEL
THICKNESS -- INNER --	10 GAUGE
THICKNESS -- OUTER --	7 GAUGE
MIN. GAUGE OR THICKNESS (PER U.L. 2085)	
CONSTRUCTION -- INNER --	LAP WELD OUTSIDE ONLY
CONSTRUCTION -- OUTER --	LAP WELD OUTSIDE ONLY
TANK TEST --	PER UL 2085
INT. FINISH --	NONE
EXT. FINISH --	SP-6 BLAST, FINISH PAINT WHITE
LABEL --	UL 2085 AND FIREGUARD® PER sti
DIKE DESIGN DATA	
CAPACITY --	763 GALLONS
TANK MATERIAL --	MILD CARBON STEEL
THICKNESS --	ALL -- 7 GAUGE
CONSTRUCTION --	WELED INSIDE & OUTSIDE
FINISH --	ALL -- SAME AS TANK EXTERIOR
NOTES	
1. ALL DIMENSIONS APPROXIMATE	
2. LIQUID LEVEL NOT TO EXCEED 95% TANK CAPACITY	
SHIP LOOSE	
(2) 4" MALE THREADED EMERGENCY VENTS	
(1) VENT DEFLECTOR	

ITEM	QTY	DESCRIPTION	ITEM	QTY	DESCRIPTION	ITEM	QTY	DESCRIPTION
1	1	2" INTERSTITIAL MONITOR PIPE - MALE NPT END	7	1	4" FITTING THROUGH OUTER SHELL ONLY, MARK WITH SPECIAL WARNING LABEL INTERSTITIAL EMERGENCY VENT USE ONLY	12	1	1/2" FITTING IN THE PUMP PAN
2	1	4" FEMALE FIREGUARD COUPLING - FOR PRIMARY EMERGENCY VENT USE	8	1	2" FEMALE FIREGUARD COUPLING w/ 2" DROP PIPE TO WITHIN 6" OF THE BOTTOM OF THE TANK WITH 45° MITER	13	1	24" WIDE x 30" HIGH BOLT TO TANK STAIRS & 24" WIDE x 30" LONG PLATFORM w/ 1" FIBERGLASS GRATING. SHIP LOOSE, INSTALLATION ON SITE BY OTHERS.
3	2	4" EMERGENCY VENT (SHIP LOOSE)	9	1	FILL CONTAINMENT CHAMBER	14	1	1" OVER FLOW PIPE
4	1	VENT DEFLECTOR ASSEMBLY & CHUTE (SHIP LOOSE)	10	1	3/4" PUMPOUT PIPE	15	1	1" PIPE UNION
5	2	2" FITTING THROUGH OUTER SHELL ONLY WITH CAST IRON PLUG- MFG USE ONLY	11	1	3" PIPE CAP SUMP			
6	3	2" FEMALE FIREGUARD COUPLING						

AREO-POWER®

U.S. PATENT # 4895272 CANADIAN PATENT APPLIED FOR

500 GALLON 48" Ø CYL. FIREGUARD®

PATENT: 5,695,089 PATENT: 5,809,650

CUSTOMER:

PROJECT:

QUOTE NO:

SCALE: 3/8" = 12"

DATE:

DWG. BY:

CHK'D BY:

DWG. NO:

AP500FC48DIKE