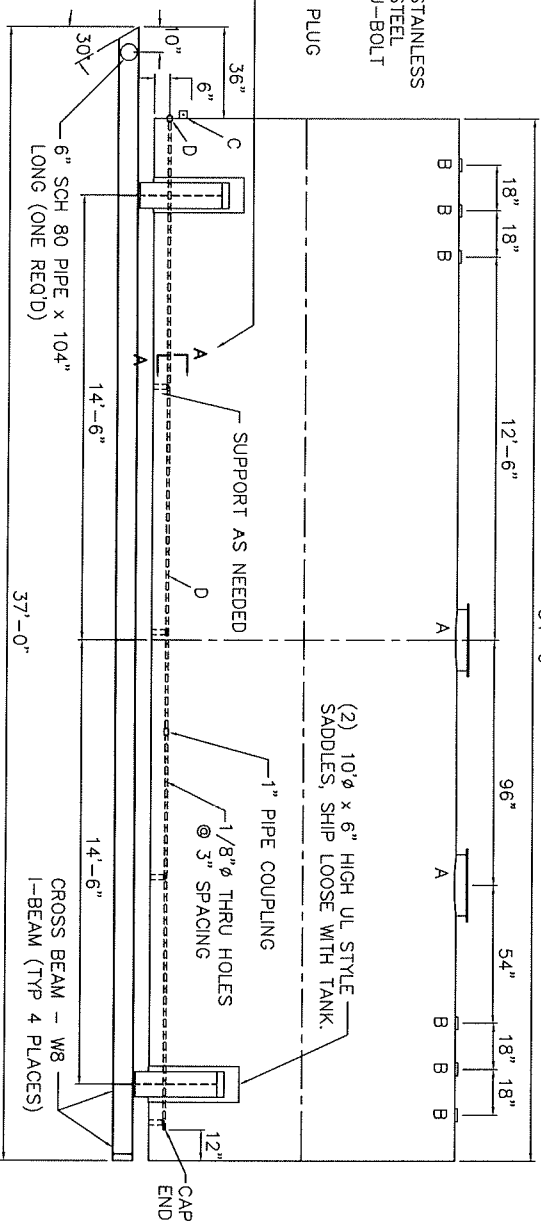
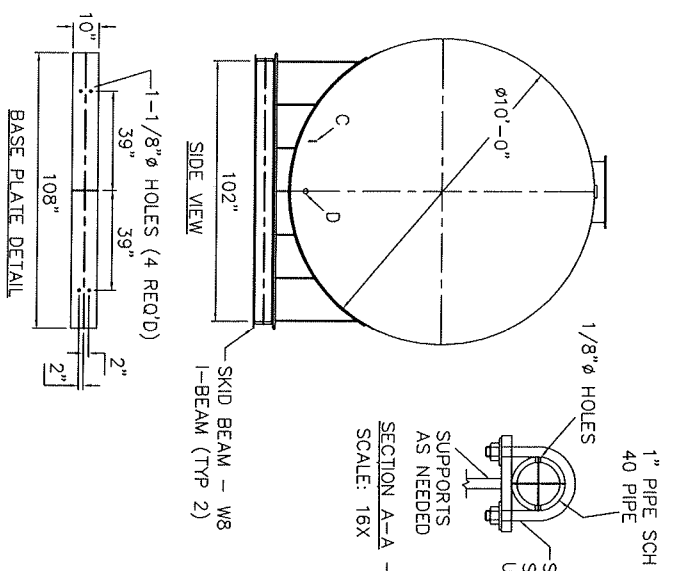


NOTE: ALL RIGHTS RESERVED. THIS DRAWING MUST NOT BE REPRODUCED IN ANY MANNER WITHOUT THE WRITTEN PERMISSION OF AREO-POWER. AREO-POWER SHALL BE RESPONSIBLE ONLY FOR ITEMS INDICATED ON THIS DRAWING. THE USER SHALL BE RESPONSIBLE FOR VERIFYING THE CORRECTNESS OF SIZE AND LOCATION OF FITTINGS, ACCESSORIES, AND COATINGS SHOWN ON THIS DRAWING.

TOUCH UP OF FINISHED PAINT IS REQUIRED BY INSTALLATION CONTRACTOR. TOUCH UP PAINT SHIPPED WITH TANK.

SHIPPING LUGS AS NEEDED



ROLL OFF FRACKING SKID TANK

AREO-POWER: =

DESIGN DATA
CAPACITY - 20,000 GALLONS
TYPE - SINGLE WALL
NO. REQ. - -
OPERATING PRESSURE - ATMOSPHERIC
SPECIFIC GRAVITY = 1.0
TANK MATERIAL - MILD CARBON STEEL
THICKNESS - HEADS: 5/16"
THICKNESS - SHELL: 1/4"
CONSTRUCTION - LAP WELD INSIDE & OUTSIDE
TANK TEST - 5 PSIG
INT. FINISH - SPIO BLAST, CHEMLINER 4000
EXT. FINISH - SHOP PRIMER or OPTIONAL WHITE PAINT
LABEL - NONE

LEGEND	
A	24" ϕ TIGHT BOLT MAINWAY w/ 1/8" NEO-CORK GASKET MATERIAL.
B	4" FITTING
C	FB-3" x 1/4" x 3" WITH 5/8" ϕ HOLE ON CL (GROUNDING LUG)
D	1" FNPT 304 STAINLESS STEEL FITTING INSIDE & OUTSIDE TANK. 1" SCH 40 PIPE BLACK IRON PIPE (STAINLESS STEEL OPTIONAL) WITH 1/8" ϕ HOLES @ 3" SPACING. SUPPORTS AS NEEDED WITH STAINLESS STEEL U-BOLTS, BLACK IRON DOPED PLUG, PIPE INSTALLED IN TWO PIECES WITH 1" STAINLESS STEEL PIPE COUPLING. SHIP LOOSE, INSTALLATION ON SITE BY OTHERS.

AREO-POWER®	CUSTOMER:
20,000 GAL 120" ϕ SW AG HORIZONTAL	PROJECT: FRAC TANK w/ AERATOR PIPE
QUOTE NO. SUB	DATE: 8/5/11
SCALE: 1/4"=1'-0"	DWG. NO. 003
DATE: 8/5/11	CHK'D BY:
DWG. NO. 003	DWG. NO. 34