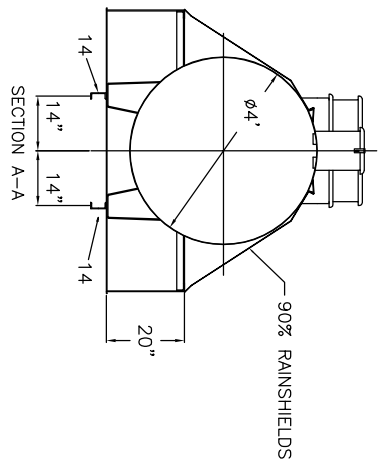
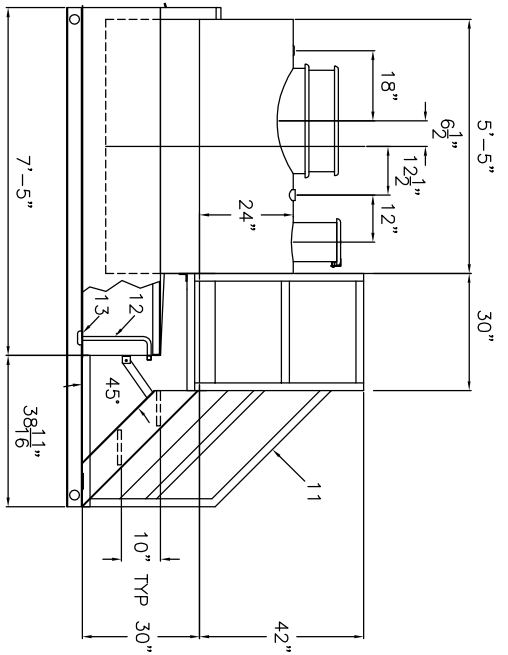
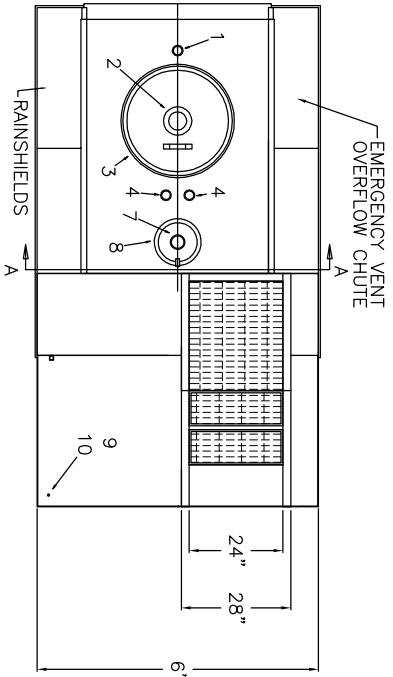


NOTE: ALL RIGHTS RESERVED. THIS DRAWING MUST NOT BE REPRODUCED IN ANY FORM WITHOUT THE WRITTEN PERMISSION OF HIGHLAND TANKS. HIGHLAND TANKS SHALL BE RESPONSIBLE FOR THE DESIGN AND FABRICATION OF THIS DRAWING UNLESS OTHERWISE NOTED. CUSTOMER IS RESPONSIBLE FOR VERIFYING CORRECTNESS OF SIZE AND MATERIALS. DIMENSIONS AND FINISH COATINGS SHOWN ON THIS DRAWING. TOUCH UP OF FINISHED PAINT IS REQUIRED BY INSTALLATION CONTRACTOR. TOUCH UP PAINT SHIPPED WITH TANK.

All rights reserved. This drawing or any part thereof must not be reproduced in any form without the written permission of Aero-Power Unitedized Fueler, Inc.



- NOTES**
1. PRIMARY TANK: SHELL - 12 GA. HEAD - 12 GA. CONTAINMENT: 7 GA.
  2. MATERIAL - MILD CARBON STEEL
  3. TEST AT 5-7 PSIG.
  4. ENTIRE UNIT UL LISTED.
  5. EXTERIOR FINISH -
  6. INTERIOR LINING -
  7. ALL DIMENSIONS APPROXIMATE.

ITEM	DESCRIPTION
①	2" NORMAL VENT FITTING
②	4"-8 OZ. EMERGENCY VENT - SHIPPED LOOSE
③	VENT DEFLECTOR
④	2" FOPLG
⑤	-
⑥	-
⑦	3" FILL FITTING
⑧	FILL CONTAINMENT CHAMBER
⑨	DRIP PAN PLATFORM WITH 2" LIP
⑩	1/2" DRAIN FITTING
⑪	STAIRS, PLATFORM AND HANDRAIL-SHIPPED LOOSE
⑫	3/4" PUMPOUT PIPE
⑬	3" PIPE CAP SWMP
⑭	4" X 5.4# CH

**AREO-POWER**®  
 500 GAL MASSUA CO. DIKE TANK  
 CUSTOMER:  
 PROJECT:  
 QUOTE NO.:  
 SCALE: 3/8"=1'-0"  
 DATE:  
 DWG. BY:  
 DWG. NO.: 519227  
 CHK'D BY: