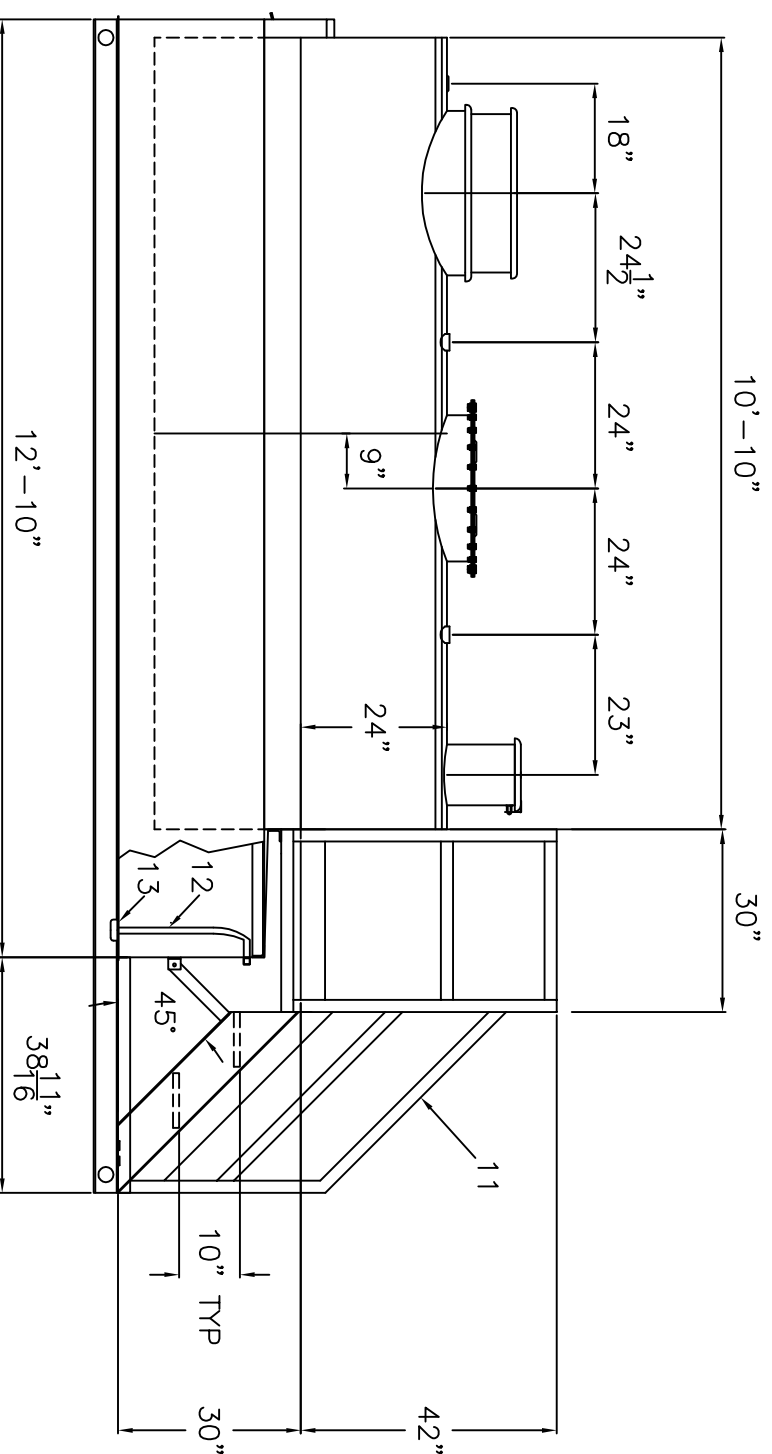
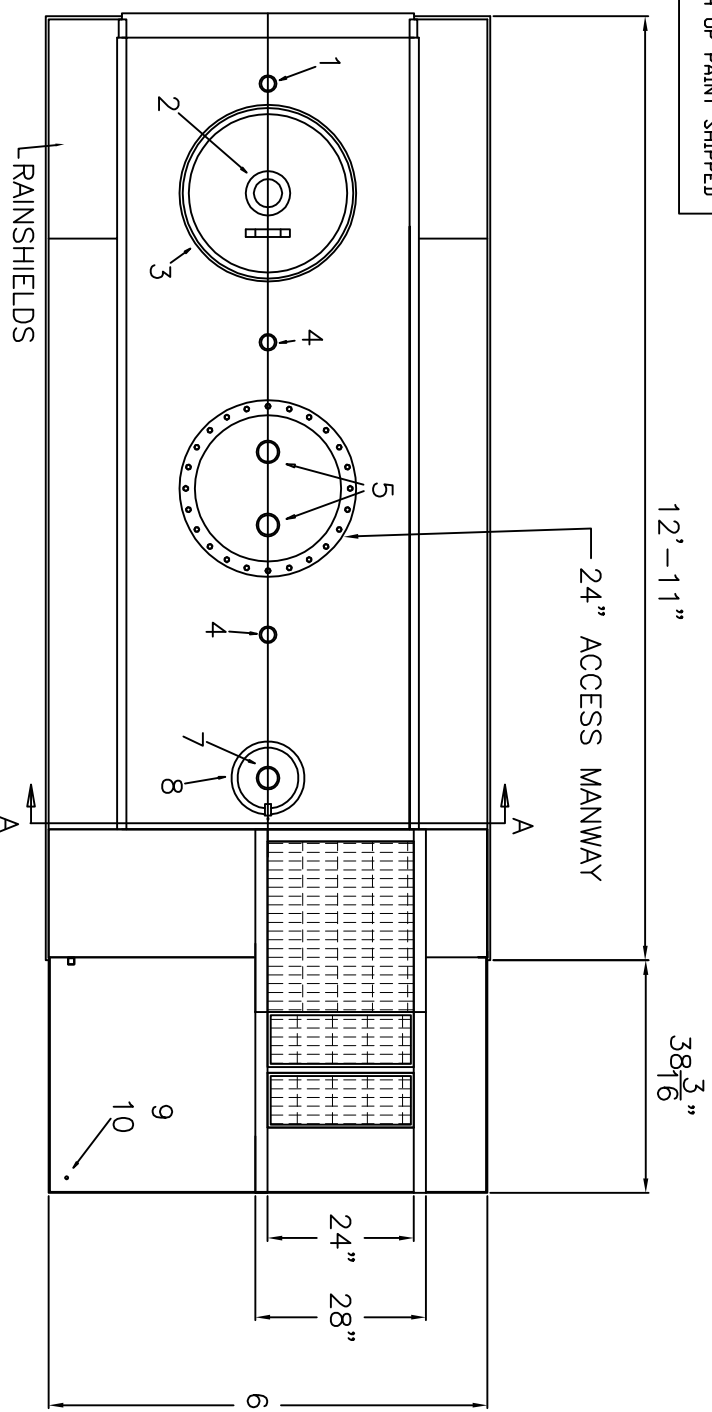


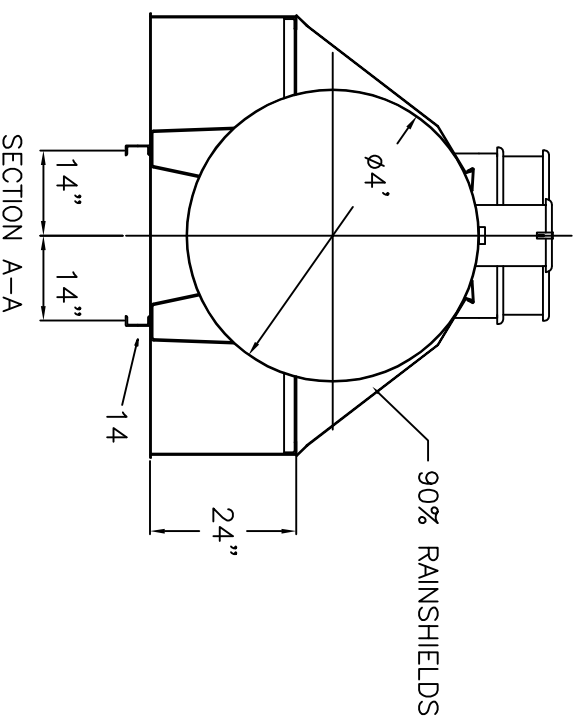
NOTE: ALL RIGHTS RESERVED. THIS DRAWING MUST NOT BE REPRODUCED IN ANY FORM WITHOUT THE WRITTEN PERMISSION OF HIGHLAND TANK®. HIGHLAND TANK® SHALL BE RESPONSIBLE ONLY FOR ITEMS INDICATED ON THIS FABRICATION DRAWING UNLESS OTHERWISE NOTED. CUSTOMER IS RESPONSIBLE FOR VERIFYING CORRECTNESS OF SIZE AND LOCATION OF FITTINGS, ACCESSORIES, AND COATINGS SHOWN ON THIS DRAWING. TOUCH UP OF FINISHED PAINT IS REQUIRED BY INSTALLATION CONTRACTOR. TOUCH UP PAINT SHIPPED WITH TANK.

All rights reserved. This drawing or any part thereof must not be reproduced in any form without the written permission of Areo-Power Utilized Fueller, Inc.



- NOTES**
1. PRIMARY TANK: SHELL - 7 GA. HEAD - 7 GA. CONTAINMENT: 7 GA.
 2. MATERIAL - MILD CARBON STEEL
 3. TEST AT 5-7 PSIG.
 4. ENTIRE UNIT UL LISTED.
 5. EXTERIOR FINISH - BRUSH BLAST, WHITE PAINT
 6. INTERIOR LINING - NONE
 7. ALL DIMENSIONS APPROXIMATE.

ITEM	DESCRIPTION
①	2" NORMAL VENT FITTING
②	6"-8 OZ. EMERGENCY VENT - SHIPPED LOOSE
③	VENT DEFLECTOR
④	2" FCPLG
⑤	3" FITTING
⑥	-
⑦	3" FILL FITTING
⑧	FILL CONTAINMENT CHAMBER
⑨	DRIP PAN PLATFORM WITH 2" LIP
⑩	1/2" DRAIN FITTING
⑪	STAIRS, PLATFORM AND HANDRAIL-SHIPPED LOOSE
⑫	3/4" PUMPOUT PIPE
⑬	3" PIPE CAP SUMP
⑭	4" X 5.4# CH



②	CHANGED DIKE HEIGHT FROM 20" TO 2'-0"	7/30/13	003
①	CHANGED TANK MATERIAL THK FROM 10 GA TO 7 GA	10/8/07	003

AREO-POWER®

1,000 GAL NASSUA CO. DIKE TANK

CUSTOMER: GREAT NECK WATER

PROJECT:

QUOTE NO: 186810

SCALE: 3/8"=1'-0" DATE: 7/24/07 DWG. BY: 003 CHK'D BY: 51928