

COMPANY NAME _____

APPROVED BY (PLEASE PRINT) _____

APPROVAL SIGNATURE _____

DATE _____ CONTRACT NO. _____

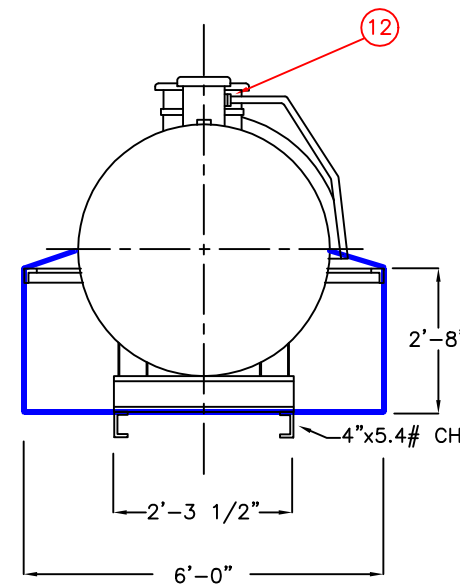
TANK TO BE INSTALLED AS PER NYC BUILDING CODE ARTICLE 17- FUEL OIL EQUIPMENT, C26-1416.

NOTES :

1. SHELL: 1/4" , HEAD: 5/16" CONTAINMENT: 7 GAUGE
2. CONTAINMENT CAPACITY = 150% TANK CAPACITY
3. MATERIAL - MILD CARBON STEEL.
4. TEST - 30 PSIG (HYDRO).
5. ENTIRE UNIT UL LISTED, NOT JUST PRIMARY TANK.
6. PAINT - RED PRIMER (STANDARD).
7. FOR FURTHER INFORMATION CALL 1-800-242-2736 OR FAX (516) 366-0905.

ITEM #	DESCRIPTION
①	1" FILL BOX OVERFLOW PIPE
②	PUMP PLATFORM W/2" LIP
③	1/2" DRAIN FITTING W/ PLUG
④	2" VENT FITTING
⑤	6" - 8 oz FLNGD EMERGENCY VENT SHIPPED LOOSE:
⑥	VENT DEFLECTOR ASSEMBLY SHIPPED LOOSE
⑦	2" FCPLGS
⑧	3" FITTING
⑨	OVERFILL CONTAINMENT CHAMBER
⑩	STAIRS, PLATFORM AND HANDRAIL- DESIGNED TO OSHA REQUIREMENTS SHIPPED LOOSE
⑪	3/4" PUMPOUT PIPE W/ 3" PIPE CAP SUMP
⑫	1" PIPE UNION

SECTION A-A



All rights reserved. This drawing or any part thereof must not be reproduced in any form without the written permission of Areo-Power Unitized Fueler, Inc.

AREO-POWER®

TITLE		REV #	REV DATE
1000 GAL. NYC FUELER			
U.S. PATENT # 4895272		CANADIAN PATENT APPLIED FOR	
SCALE	DATE	DRAWN BY	DWG. NO.
NONE	3/28/91	JF	UL1K48NY

NYC MODEL