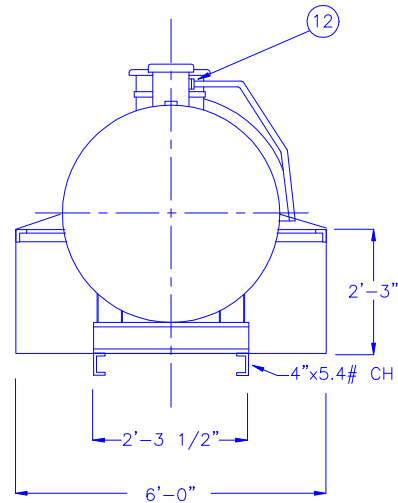


NYC MODEL

SECTION A-A



COMPANY NAME

APPROVED BY (PLEASE PRINT)

APPROVAL SIGNATURE

DATE CONTRACT NO.

TANK TO BE INSTALLED AS PER
NYC BUILDING CODE ARTICLE 17-
FUEL OIL EQUIPMENT, C26-1416.

NOTES :

1. SHELL: 1/4" , HEAD: 5/16"
CONTAINMENT: 7 GAUGE
2. CONTAINMENT CAPACITY =
150% TANK CAPACITY
3. MATERIAL - MILD CARBON STEEL.
4. TEST - 30 PSIG (HYDRO).
5. ENTIRE UNIT UL LISTED, NOT JUST
PRIMARY TANK.
6. PAINT - RED PRIMER (STANDARD).
7. FOR FURTHER INFORMATION CALL
1-800-242-2736 OR FAX (516) 366-0905.

ITEM #	DESCRIPTION
1	1" FILL BOX OVERFLOW PIPE
2	PUMP PLATFORM W/2" LIP
3	1/2" DRAIN FITTING W/ PLUG
4	2" VENT FITTING
5	4" - 8 oz FLNGD EMERGENCY VENT SHIPPED LOOSE:
6	VENT DEFLECTOR ASSEMBLY SHIPPED LOOSE
7	2" FCPLGS
8	3" FITTING
9	OVERFILL CONTAINMENT CHAMBER
10	STAIRS, PLATFORM AND HANDRAIL- DESIGNED TO OSHA REQUIREMENTS SHIPPED LOOSE
11	3/4" PUMPOUT PIPE W/ 3" PIPE CAP SUMP
12	1" PIPE UNION

All rights reserved. This drawing or any part thereof must not be reproduced in any form without the written permission of Areo-Power Unitized Fueler, Inc.

AREO-POWER®

TITLE		REV #	REV DATE
500 GAL. NYC FUELER			
U.S. PATENT # 4895272		CANADIAN PATENT APPLIED FOR	
SCALE	DATE	DRAWN BY	DWG. NO.
NONE	3/28/91	JF	UL5C48NY