

COMPANY NAME \_\_\_\_\_

APPROVED BY (PLEASE PRINT) \_\_\_\_\_

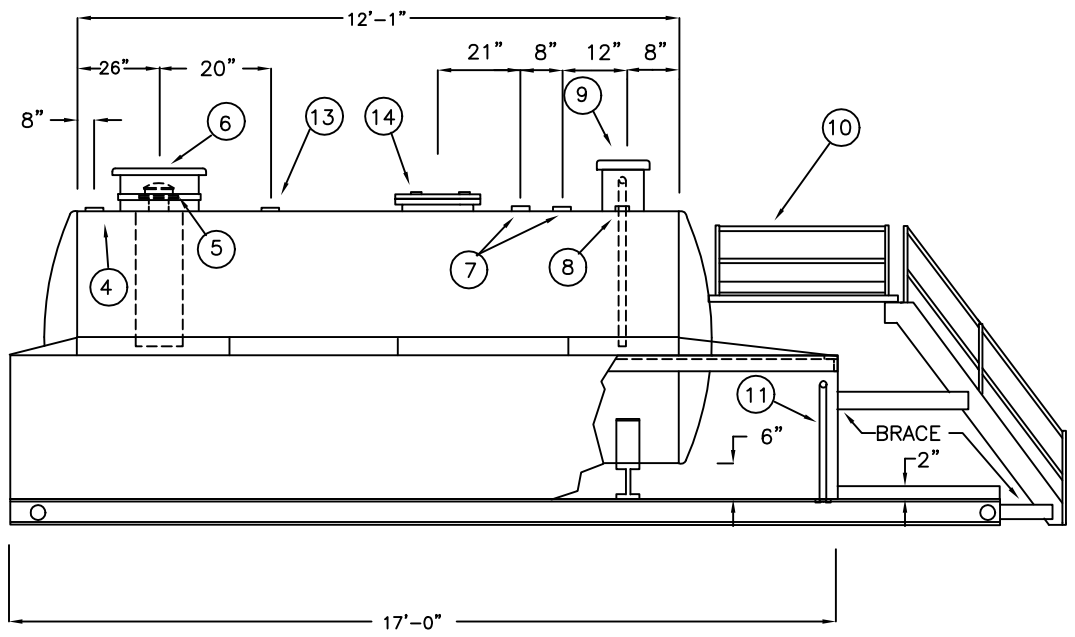
APPROVAL SIGNATURE \_\_\_\_\_

DATE \_\_\_\_\_ CONTRACT NO. \_\_\_\_\_

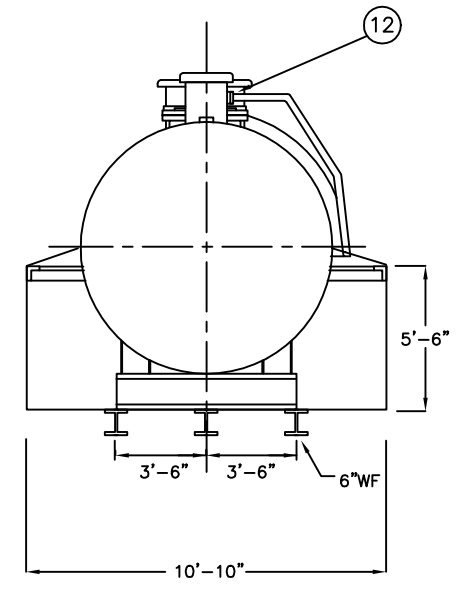
TANK TO BE INSTALLED AS PER  
 NYC BUILDING CODE ARTICLE 17-  
 FUEL OIL EQUIPMENT, C26-1416.

- NOTES :
1. SHELL: 5/16" , HEAD: 3/8"  
CONTAINMENT: 1/4"
  2. CONTAINMENT CAPACITY =  
150% TANK CAPACITY
  3. MATERIAL - MILD CARBON STEEL.
  4. TEST - 30 PSIG (HYDRO).
  5. ENTIRE UNIT UL LISTED, NOT JUST  
PRIMARY TANK.
  6. PAINT - RED PRIMER (STANDARD).
  7. FOR FURTHER INFORMATION CALL  
1-800-242-2736 OR FAX (516) 366-0905.

ITEM #	DESCRIPTION
①	1" FILL BOX OVERFLOW PIPE
②	PUMP PLATFORM W/2" LIP
③	1/2" DRAIN FITTING W/ PLUG
④	3" VENT FITTING
⑤	8" - 8 oz FLNGD EMERGENCY VENT SHIPPED LOOSE:
⑥	VENT DEFLECTOR ASSEMBLY SHIPPED LOOSE
⑦	3" FCPLG
⑧	3" FITTING
⑨	OVERFILL CONTAINMENT CHAMBER
⑩	STAIRS, PLATFORM AND HANDRAIL- DESIGNED TO OSHA REQUIREMENTS SHIPPED LOOSE
⑪	3/4" PUMPOUT PIPE W/ 3" PIPE CAP SUMP
⑫	1" PIPE UNION
⑬	4" FITTING
⑭	(2) 3" FITTING



SECTION A-A



NYC MODEL

All rights reserved. This drawing or any part thereof must not be reproduced in any form without the written permission of Areo-Power Unitized Fueler, Inc.

**AREO-POWER®**

TITLE 5000 GAL. NYC FUELER		REV #	REV DATE
U.S. PATENT # 4895272		CANADIAN PATENT APPLIED FOR	
SCALE NONE	DATE 3/27/91	DRAWN BY JF	DWG. NO. UL5K96NY