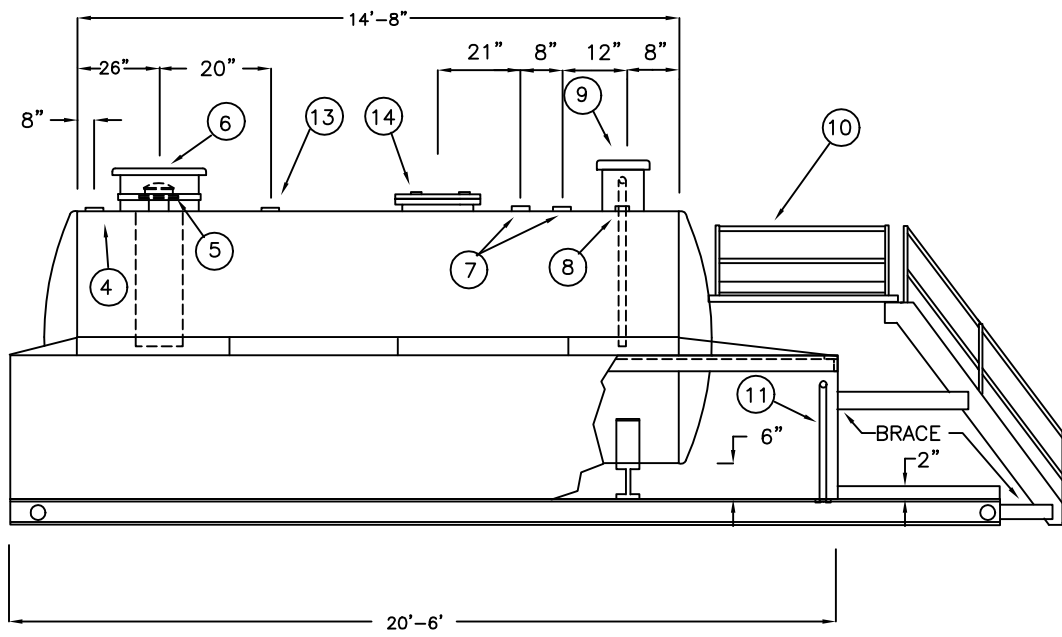


COMPANY NAME _____
 APPROVED BY (PLEASE PRINT) _____
 APPROVAL SIGNATURE _____
 DATE _____ CONTRACT NO. _____

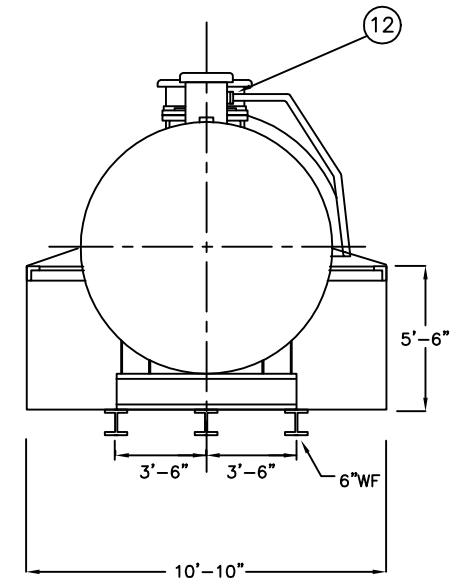
TANK TO BE INSTALLED AS PER
 NYC BUILDING CODE ARTICLE 17-
 FUEL OIL EQUIPMENT, C26-1416.

- NOTES :
1. SHELL: 5/16" , HEAD: 3/8"
CONTAINMENT: 1/4"
 2. CONTAINMENT CAPACITY =
150% TANK CAPACITY
 3. MATERIAL - MILD CARBON STEEL.
 4. TEST - 30 PSIG (HYDRO).
 5. ENTIRE UNIT UL LISTED, NOT JUST
PRIMARY TANK.
 6. PAINT - RED PRIMER (STANDARD).
 7. FOR FURTHER INFORMATION CALL
1-800-242-2736 OR FAX (516) 366-0905.

| ITEM # | DESCRIPTION |
|--------|--|
| ① | 1" FILL BOX OVERFLOW PIPE |
| ② | PUMP PLATFORM W/2" LIP |
| ③ | 1/2" DRAIN FITTING W/ PLUG |
| ④ | 3" VENT FITTING |
| ⑤ | 8" - 8 oz FLNGD EMERGENCY VENT SHIPPED LOOSE: |
| ⑥ | VENT DEFLECTOR ASSEMBLY SHIPPED LOOSE |
| ⑦ | 3" FCPLG |
| ⑧ | 3" FITTING |
| ⑨ | OVERFILL CONTAINMENT CHAMBER |
| ⑩ | STAIRS, PLATFORM AND HANDRAIL- DESIGNED TO OSHA REQUIREMENTS SHIPPED LOOSE |
| ⑪ | 3/4" PUMPOUT PIPE W/ 3" PIPE CAP SUMP |
| ⑫ | 1" PIPE UNION |
| ⑬ | 4" FITTING |
| ⑭ | (2) 3" FITTING |



SECTION A-A



NYC MODEL

All rights reserved. This drawing or any part thereof must not be reproduced in any form without the written permission of Areo-Power Unitized Fueler, Inc.

AREO-POWER®

| | | | |
|-------------------------------|-----------------------------|----------------|----------------------|
| TITLE 6000 GAL. NYC FUELER | | REV # | REV DATE |
| U.S. PATENT # 4895272 | CANADIAN PATENT APPLIED FOR | | |
| SCALE NONE | DATE 3/27/91 | DRAWN BY JF | DWG. NO. UL6K96NY |