

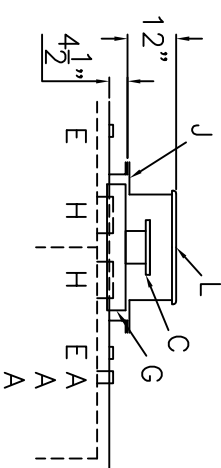
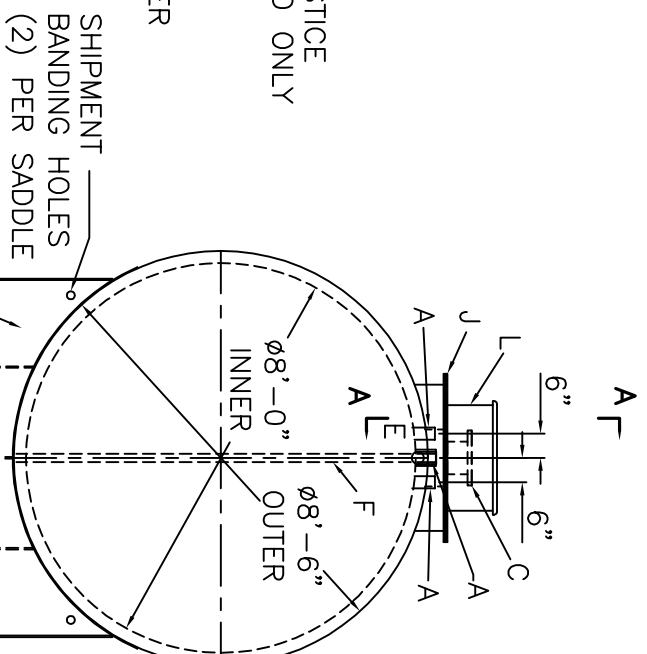
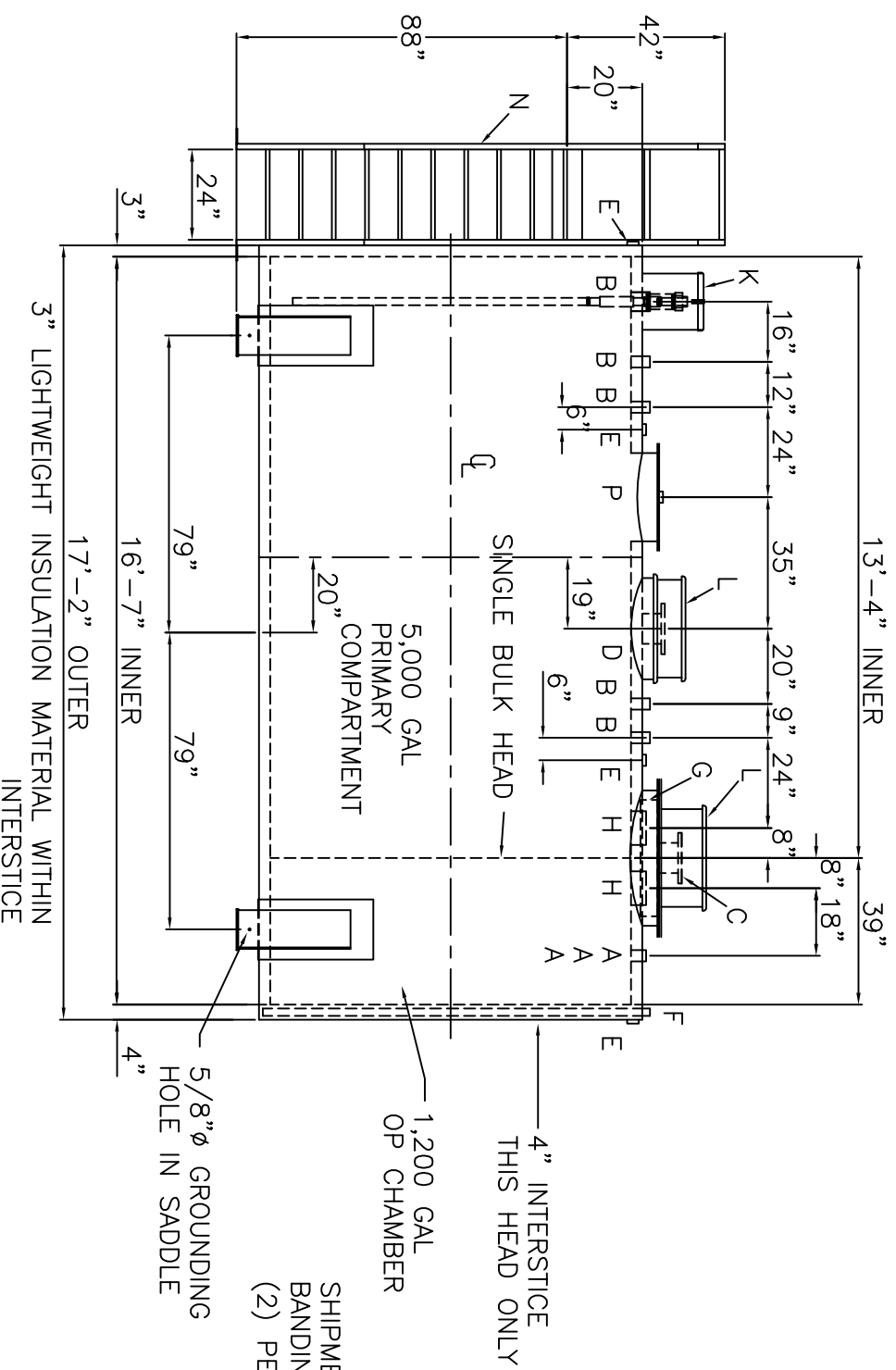
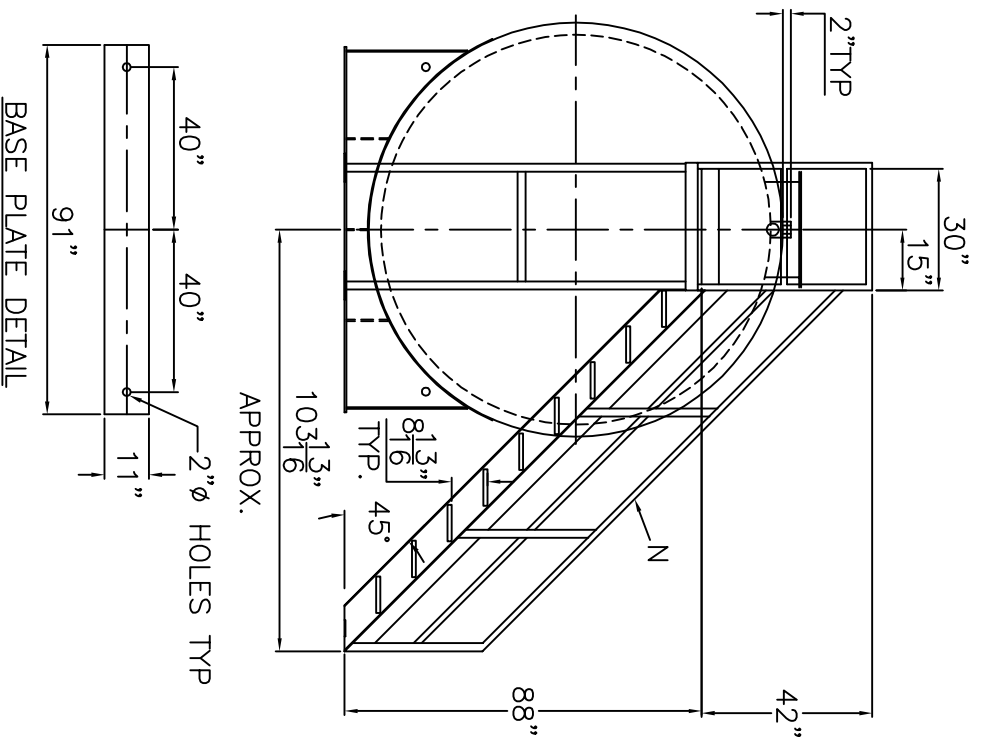
NOTE: ALL RIGHTS RESERVED. THIS DRAWING MUST NOT BE REPRODUCED IN ANY FORM WITHOUT THE WRITTEN PERMISSION OF AREO-POWER®. AREO-POWER® SHALL BE RESPONSIBLE ONLY FOR ITEMS INDICATED ON THIS FABRICATION DRAWING UNLESS OTHERWISE NOTED. CUSTOMER IS RESPONSIBLE FOR VERIFYING CORRECTNESS OF SIZE AND LOCATION OF FITTINGS, ACCESSORIES, AND COATINGS SHOWN ON THIS DRAWING.

TOUCH UP OF FINISHED PAINT IS REQUIRED BY INSTALLATION CONTRACTOR. TOUCH UP PAINT SHIPPED WITH TANK.

SHIPPING LUGS AS NEEDED

SHIP LOOSE

(2) 8" FLANGED EMERGENCY VENTS



DESIGN DATA

| |
|---|
| CAPACITY : 5,000 GALLON |
| TYPE: FIREGUARD® CYLINDRICAL |
| FIREGUARD® IS A TRADEMARK OF THE STEEL TANK INSTITUTE |
| NO. REQ. - 1 |
| OPERATING PRESSURE - ATMOSPHERIC |
| SPECIFIC GRAVITY = 1.0 |
| TANK MATERIAL - MILD CARBON STEEL |
| THICKNESS - INNER- HEADS: 5/16", SHELL: 1/4" THICKNESS - OUTER- HEADS: 5/16", SHELL: 1/4" MIN. GAUGE OR THICKNESS (PER U.L. 2085) |
| CONSTRUCTION - INNER - LAP WELD OUTSIDE ONLY CONSTRUCTION - OUTER - LAP WELD OUTSIDE ONLY |
| TANK TEST - PER UL 2085 |
| INT. FINISH - NONE |
| EXT. FINISH - SP-6 BLAST, FINISH PAINT WHITE |
| LABEL- UL 2085 AND FIREGUARD® PER STI |

LEGEND

| | | | |
|---|--|---|--|
| A | 2" FEMALE FIREGUARD COUPLING | K | 10 GAL SPILL CHAMBER WITH HINGE & HASP - APPROX |
| B | 4" FEMALE FIREGUARD COUPLING | L | EMERGENCY VENT CHAMBER |
| C | 8" FFSO 150# FLANGE - PRIMARY EMERGENCY VENT USE ONLY | M | INSTALLED 2" OVERFILL PREVENTION VALVE WITH 2" FEMALE THREADED TOP AND DROP PIPE VALVE TO BE SET FOR 90% OR 95% - PLEASE INDICATE DESIRED SETTING (CIRCLE ONE) |
| D | 8" FFSO 150# FLANGE THROUGH OUTER SHELL ONLY, MARK WITH SPECIAL WARNING LABEL INTERSTITIAL EMERGENCY VENT USE ONLY | N | 88" HIGH STANDARD AREO-POWER FREE STANDING STAIR & PLATFORM ASSEMBLY, PAINT: SAFETY YELLOW AND SHIP LOOSE FOR INSTALLATION ON SITE BY OTHERS |
| E | 2" FITTING THROUGH OUTER SHELL ONLY WITH CAST IRON PLUG- MFG USE ONLY | P | 24" x 1/4" PLATE TIGHT BOLT MANWAY WITH 1/8" THICK NEO-CORK GASKET |
| F | 2" INTERSTITIAL MONITOR PIPE - MALE NPT END | Q | - |
| G | 31" LONG x 14" WIDE x 4" HIGH CLOSED TOP STEEL ENCLOSURE, WELDED TO TANK OUTER SHELL | | |
| H | 8" FEMALE FIREGUARD COUPLING | | |
| J | 36" x 1/4" PLATE TIGHT BOLT MANWAY WELDED TO TANK OUTER WALL ONLY, 1/8" THK. NEO-CORK GASKET AND EMERGENCY VENT CHAMBER - EXTENSION TO SHIP LOOSE FOR INSTALLATION ON SITE BY OTHERS | | |

NOTES: STRIKER PLATES ARE NOT SUPPLIED ON FIREGUARDS® UNLESS SPECIFIED

AREO-POWER®
PATENT NUMBER 5346093

5,000 GAL 96" Ø CYL. FIREGUARD®

PATENT: 5,695,089 PATENT: 5,809,650

CUSTOMER:

PROJECT:

QUOTE NO: _____ CHK'D BY: _____

SCALE: 1/4"=1'-0" DATE: _____ DIVG. BY: _____ DATE: _____ DIVG. NO: _____

7/7/90