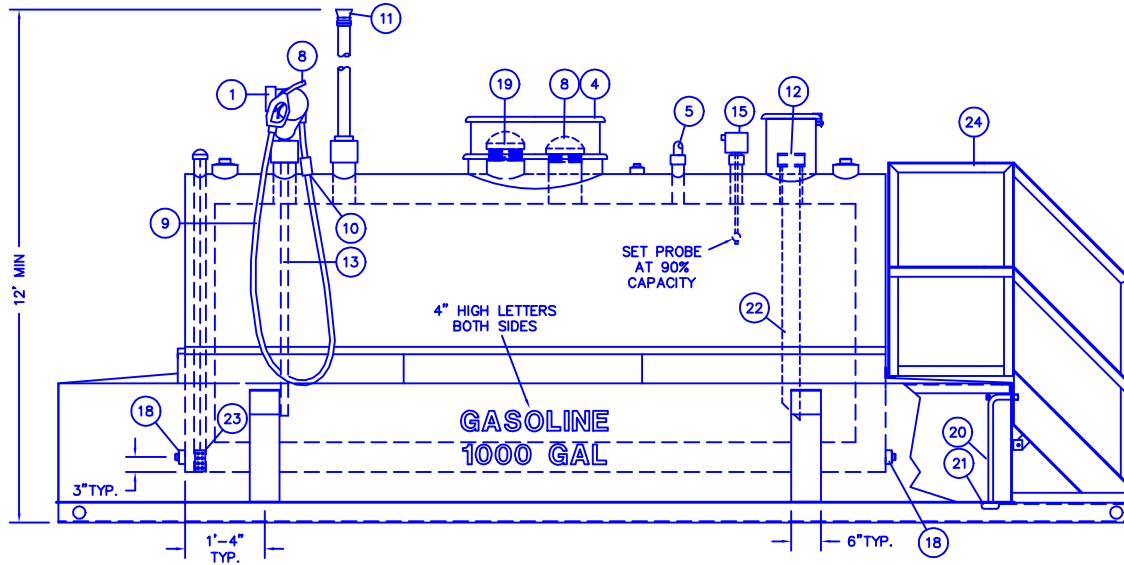


1000 GAL GASOLINE TANK - PLAN

SCALE : 1"=2'-6"



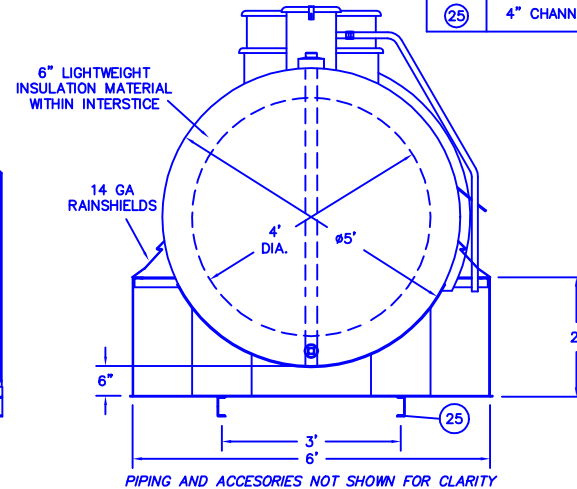
1000 GAL GASOLINE TANK - ELEVATION

SCALE : 1"=2'-6"

NOTES:

1. PRIMARY TANK:
INNER & OUTER SHELL - 10 GA.
HEAD - 10 GA.
CONTAINMENT: 7 GA.
2. MATERIAL - MILD CARBON STEEL
3. FACTORY TEST AT 5-7 PSIG.
4. UNIT TO BE UL 2085 LISTED AND LABELED.
5. EXTERIOR FINISH (INCLUDING INTERIOR OF DIKE) - SSPC-SP7 BRUSH OFF BLAST CLEANING & MAB PLYMATIC 101 WHITE EPOXY.
6. ALL DIMENSIONS ARE APPROXIMATE.
7. CONTAINMENT CAPACITY >110%
8. TANK SHELL AND HEAD WELDS TO BE AS SPECIFIED IN UL142.
9. ANY JOINT NOT DETAILED SHALL BE A CONTINUOUS FULL FILLET WELD.
10. A 8" WIDE X 20' LONG X 8" THICK CONCRETE PAD REINFORCED WITH 6X6 10-10 WMM MUST BE PROVIDED. TANKS LOCATED IN HEAVILY TRAFFICED AREAS MUST BE PROTECTED BY TRAFFIC BOLLARDS. THE BOLLARDS MUST BE MADE OF SCH80 STEEL PIPE, CONCRETE FILLED AND SET IN THE GROUND TO A DEPTH OF 4'. THE BOLLARDS WILL BE SET IN CONCRETE FOOTINGS. THE BOLLARDS SHALL BE A MINIMUM OF 4' ABOVE GRADE. BOLLARDS SHALL BE PLACED NO MORE THAN 4' APART.
11. A WARRICK ALARM PANEL MODEL DMS 572 IS TO BE SUPPLIED AND SHIPPED LOOSE WITH TANK. PANEL MUST BE MOUNTED OUTSIDE HAZARDOUS AREA. ALL ELECTRICAL WORK TO BE IN ACCORDANCE WITH NEC REQUIREMENTS FOR HAZARDOUS LOCATIONS.

| ITEM | DESCRIPTION |
|------|--|
| ① | MODEL T701, 18 GPM PUMP WITH METER |
| ② | 6"-8 OZ. EMERGENCY VENT - SHIP LOOSE |
| ③ | EMERGENCY VENT OVERFLOW CHUTE |
| ④ | VENT DEFLECTOR ASSEMBLY |
| ⑤ | 2" LEVEL GAUGE |
| ⑥ | 1" OVERFLOW PIPE |
| ⑦ | FILL CONTAINMENT CHAMBER |
| ⑧ | HUSKY AUTOMATIC NOZZLE |
| ⑨ | 3/4" X 12' UL LISTED FUEL HOSE |
| ⑩ | OPW "SAFEBREAK" WITH STRAITENING HOSE |
| ⑪ | 2" PRESSURE/VAC VENT 2 OZ / 1 OZ |
| ⑫ | 4" COAX FILL ADAPTER AND CAP |
| ⑬ | 1" SCH. 40 SUCTION PIPE |
| ⑭ | 4" PLUGGED FITTING |
| ⑮ | WARRICK FT SERIES HIGH LEVEL ALARM PROBE |
| ⑯ | 1/2" DRAIN FITTING WITH PLUG |
| ⑰ | DRIP PAN WITH 2" LIP |
| ⑱ | 2" PLUGGED FITTING |
| ⑲ | 6" INTERSTITIAL EMERGENCY VENT |
| ⑳ | 3/4" PUMPOUT PIPE |
| ㉑ | 3" PIPE CAP SUMP |
| ㉒ | COAXIAL DROP TUBE |
| ㉓ | WARRICK MODEL DLP LEAK DETECTOR |
| ㉔ | OSHA STAIRS / PLATFORM |
| ㉕ | 4" CHANNEL SUPPORTS |



PIPING AND ACCESORIES NOT SHOWN FOR CLARITY

SECTION A-A

SCALE : 1"=1'-0"