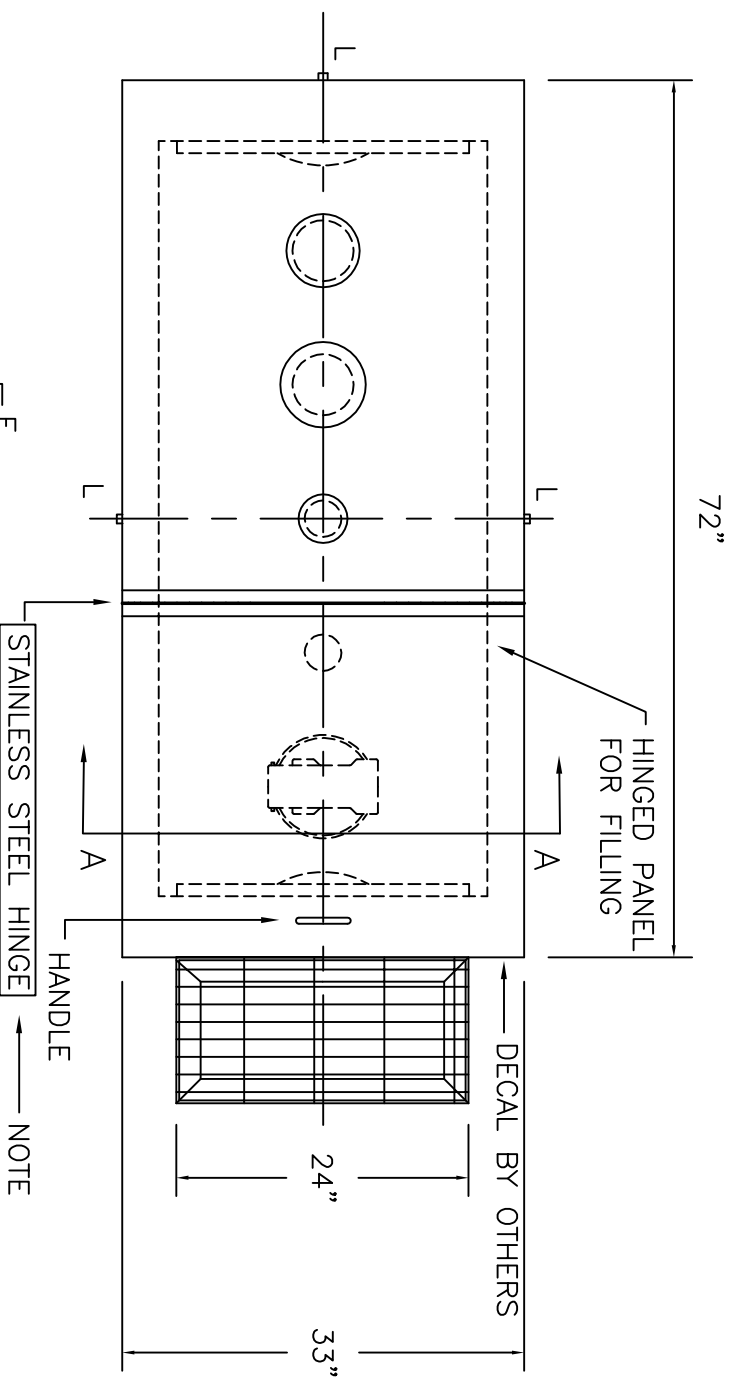
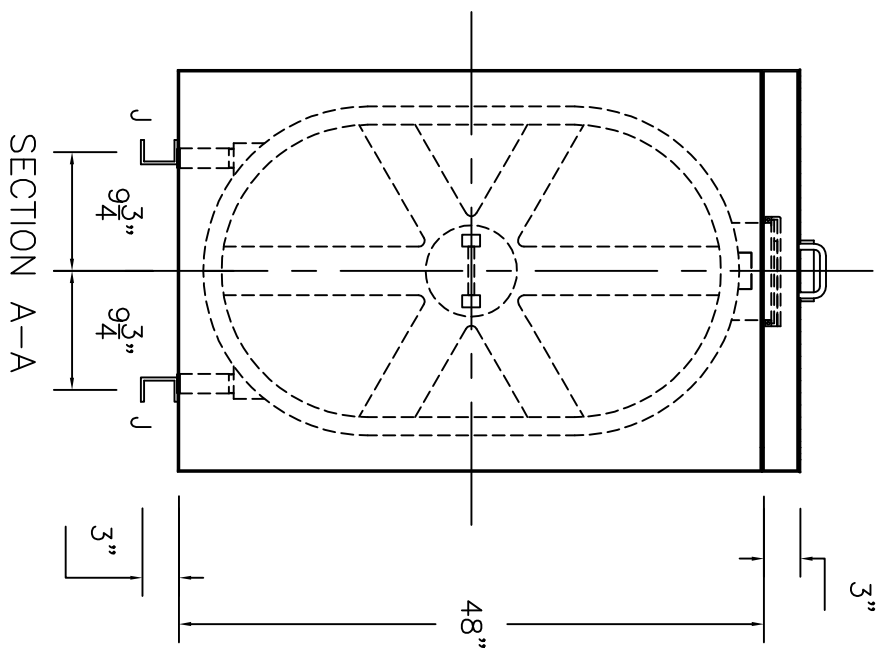
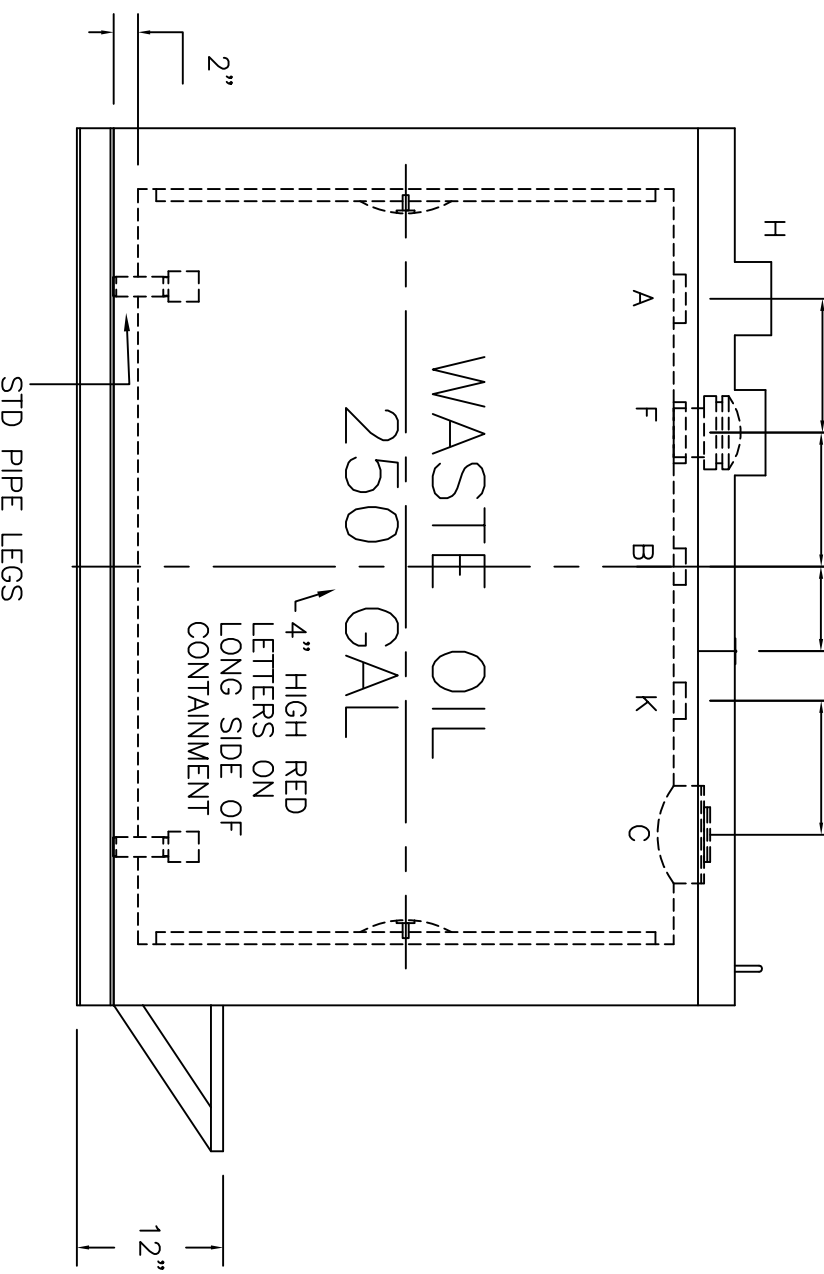


NOTE: ALL RIGHTS RESERVED. THIS DRAWING MUST NOT BE REPRODUCED IN ANY FORM WITHOUT THE WRITTEN PERMISSION OF AREO-POWER. AREO-POWER SHALL BE RESPONSIBLE ONLY FOR ITEMS INDICATED ON THIS FABRICATION DRAWING UNLESS OTHERWISE NOTED. CUSTOMER IS RESPONSIBLE FOR VERIFYING CORRECTNESS OF SIZE AND LOCATION OF FITTINGS, ACCESSORIES, AND COATINGS SHOWN ON THIS DRAWING.



DECAL OR STENCIL BY OTHERS
2" HIGH LETTERS
"THIS TANK IS FOR WASTE OIL ONLY. THE TANK IS TO BE FILLED MANUALLY. WASTE OIL SHALL NOT BE PUMPED INTO THIS TANK UNDER ANY CIRCUMSTANCES"



SPECIFICATIONS

TANK - 275 UL 142 TOUTANK 12 GAUGE
CONTAINMENT - 10 GA - 195% CONTAINMENT
MATERIAL - MILD CARBON STEEL
CONTAINMENT CONSTRUCTION - WELDED INSIDE AND OUT

TANK TEST - STD UL 142
PAINT - EXTERIOR OF TANK - IN AND OUT OF CONTAINMENT - SP6, PRIMER & WHITE FINISH PAINT

LABEL - UL142

FITTING LEGEND

A	3" FITTING - FOR NORMAL VENT USE
B	2" FITTING WITH DOPED CAST IRON PLUG
C	8" FILL HATCH WITH REMOVABLE STRAINER
D	---
E	PIPE CAP WELDED INTO CONTAINMENT LID
F	3" FITTING FOR EMERGENCY VENT USE; 3" MALE THREADED EMERGENCY VENT SHIPPED LOOSE
G	---
H	6" ϕ STD WEIGHT PIPE STUB X 3" PROJECTION THROUGH CONTAINMENT LID
J	C3 X 5# SUPPORTS
K	2" FITTING - GAUGE USE
L	CONTAINMENT COVER HASP

SHIP LOOSE
ACCESSORIES PER ORDER

AREO-POWER®
PATENT NUMBER 5346093
**250 SUFFOLK COUNTY
GENERIC WASTE OIL TANK**

CUSTOMER: -
PROJECT: WASTE OIL TANK
QUOTE: -

SCALE 3/4" = 12"
DATE -
DRAWN BY XXX
DRAWING NUMBER 275RWSCWO