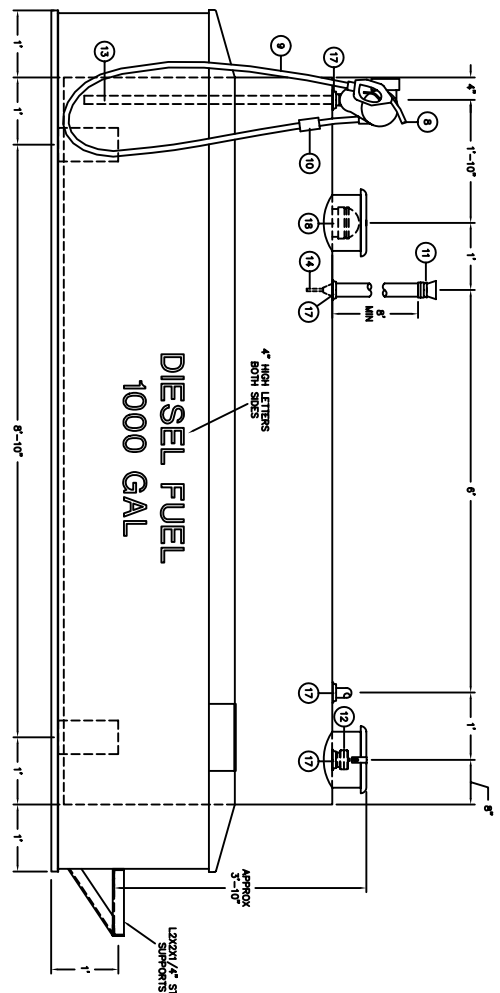


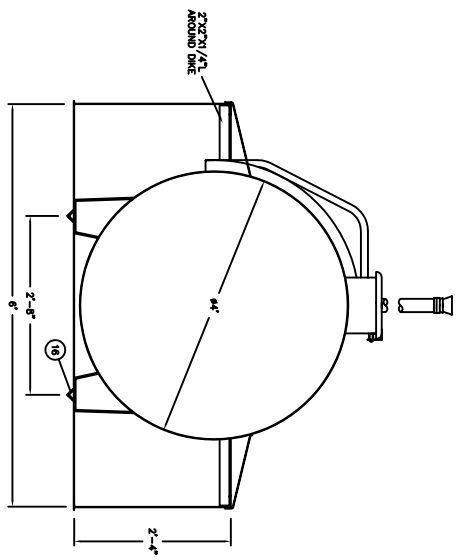
1000 GAL DIESEL FUEL TANK - PLAN
SCALE: 1/4"=1'-0"



1000 GAL DIESEL FUEL TANK - ELEVATION
SCALE: 1/4"=1'-0"

- NOTES.**
1. PRIMARY TANK, 7 GA. HEAD - 7 GA. SHELL CONTAINMENT: 7 GA.
 2. MATERIAL - MILD CARBON STEEL.
 3. FACTORY TEST AT 5-7 PSIG.
 4. ENTIRE UNIT IS LISTED AND ARE FOR OUTDOOR USE.
 5. EXTENSION PIPING INCLUDING INTERIOR OF DOME SHALL BE PROTECTED BY THERMOGLASS GRAIN STEEL FIBRE 101 WHITE EPOXY.
 6. ALL DIMENSIONS ARE APPROXIMATE.
 7. CONTAINMENT CAPACITY 5150K.
 8. PRIMARY TANK SHELL AND HEAD WELDS TO BE AS SPECIFIED IN UL142.
 9. ANY JOINT NOT DETAILED SHALL BE A CONTINUOUS FULL FILLET WELD.
 10. A 6" WIDE X 15' LONG X 6" THICK CONCRETE PAD SHALL BE CASTED FOR THE TANK. THE TANK MUST BE PROTECTED BY THERMOGLASS GRAIN STEEL FIBRE 101 WHITE EPOXY. THE BOLLARDS MUST BE SET IN CONCRETE FOOTINGS. THE BOLLARDS SHALL BE A MINIMUM OF 4" ABOVE GRADE. THE BOLLARDS SHALL BE PLACED NO MORE THAN 4' APART.

ITEM	DESCRIPTION
1	ARCO MODEL T701, 18 GPM PUMP WITH METER
2	6"-8 OZ. EMERGENCY VENT - SHIP LOOSE
3	EMERGENCY VENT OVERFLOW CHUTE
4	VENT DEFLECTOR ASSEMBLY
5	2" LEVEL GAUGE - SULLY GOLDEN GAUGE
6	1" OVERFLOW PIPE
7	FILL CONTAINMENT CHAMBER
8	HISKEY AUTOMATIC NOZZLE
9	3/4" X 1/2" UL LISTED FUEL HOSE
10	6PM "SWABBER" WITH STRAPPING HOSE
11	2" FILL ADAPTER AND CAP
12	1" SCH. 40 SECTION PIPE
13	2" VENT WHISTLE
14	1 1/2" L (2)
15	2" PAINT FITTING
16	6" PIPE STUB T.O.E.



1000 GAL DIESEL FUEL TANK - SECTION AA
SCALE: 1/4"=1'-0"

ARCO-POWER
UNITIZED FUELER, INC.
103 SAITHOTON BLVD
SAITHOTON, NY 11787

FRANKS006 GAL GENERIC
DIESEL FUEL TANK
FOR SUFFOLK COUNTY

REV	DATE	BY	REVISION DESCRIPTION

DWG NO: SCT1000D
SCALE: NOTED
SHEET: 1 OF 1
DATE: 5/96

ALL RIGHTS RESERVED. THIS DRAWING OR ANY PART THEREOF IS NOT TO BE REPRODUCED IN ANY FORM WITHOUT WRITTEN PERMISSION OF ARCO-POWER UNITIZED FUELER, INC.

DWG BY: JF
DATE: 5/96