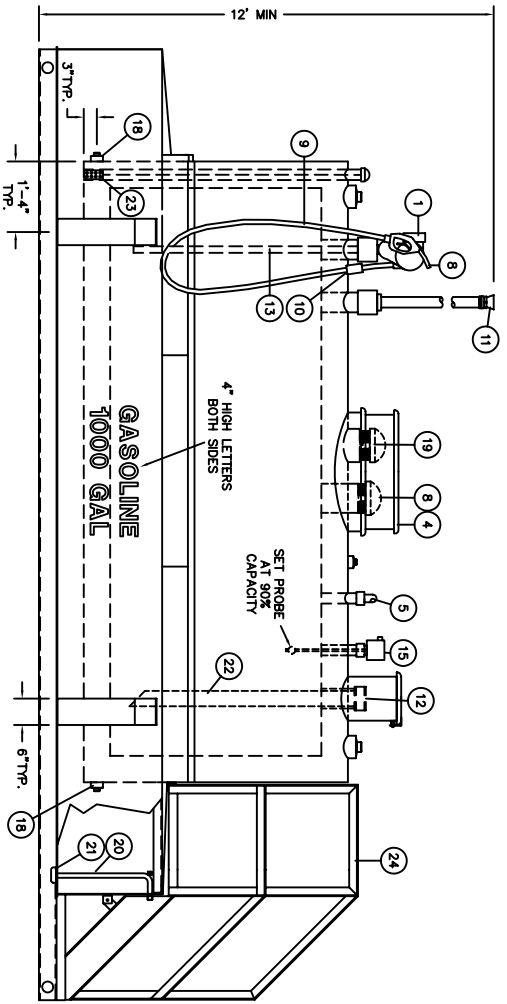


**1000 GAL GASOLINE TANK - PLAN**  
SCALE : 1"=2'-6"

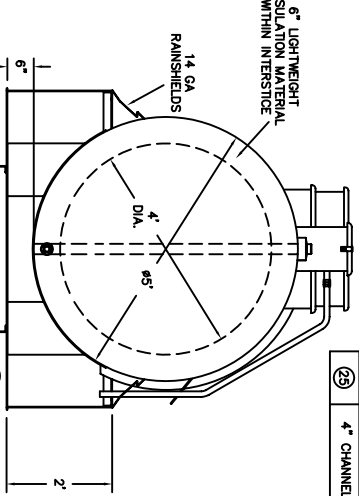


**1000 GAL GASOLINE TANK - ELEVATION**  
SCALE : 1"=2'-6"

**NOTES:**

1. PRIMARY TANK: INNER & OUTER SHELL - 10 GA. HEAD - 10 GA. CONTAINMENT: 7 GA.
2. MATERIAL - MILD CARBON STEEL
3. FACTORY TEST AT 5-7 PSIG.
4. UNIT TO BE UL 2085 LISTED AND LABELED.
5. EXTERIOR FINISH (INCLUDING INTERIOR OF DIKE) - SSPC-SP7 BRUSH OFF BLAST CLEANING & MAB PLTMASTIC 101 WHITE EPOXY.
6. ALL DIMENSIONS ARE APPROXIMATE.
7. CONTAINMENT CAPACITY >110%.
8. TANK SHELL AND HEAD WELDS TO BE AS SPECIFIED IN UL #2.
9. ANY JOINT NOT DETAILED SHALL BE A CONTINUOUS FULL FILLET WELD.
10. A 8" WIDE X 20' LONG X 8" THICK CONCRETE PAD REINFORCED WITH 6X6 10' X 10' W/M MUST BE PROVIDED. TANKS LOCATED OUTSIDE HAZARDOUS AREAS MUST BE PROTECTED BY TRAFFIC BOLLARDS. THE BOLLARDS MUST BE MADE OF SCHED 80 STEEL PIPE, CONCRETE FILLED AND SET IN THE GROUND TO A DEPTH OF 4'. THE BOLLARDS WILL BE SET IN CONCRETE FOOTINGS. THE BOLLARDS SHALL BE A MINIMUM OF 4' ABOVE GRADE. BOLLARDS SHALL BE PLACED NO MORE THAN 4' APART.
11. A WARRICK ALARM PANEL MODEL DMS 572 IS TO BE SUPPLIED AND SHIPPED LOOSE WITH TANK. PANEL MUST BE MOUNTED OUTSIDE HAZARDOUS AREA. ALL ELECTRICAL WORK TO BE IN ACCORDANCE WITH ALL LOCAL AND STATE ELECTRICAL REQUIREMENTS FOR HAZARDOUS LOCATIONS.

ITEM	DESCRIPTION
1	MODEL T701, 18 GPM PUMP WITH METER
2	6"-8 OZ. EMERGENCY VENT - SHIP LOOSE
3	EMERGENCY VENT OVERFLOW CHOICE
4	VENT DEFLECTOR ASSEMBLY
5	2" LEVEL GAUGE
6	1" OVERFLOW PIPE
7	FILL CONTAINMENT CHAMBER
8	HUSKY AUTOMATIC NOZZLE
9	3/4" X 12' UL LISTED FUEL HOSE
10	OPW "SAFEBREAK" WITH STRAIGHTENING HOSE
11	2" PRESSURE/VAC VENT 2 OZ / 1 OZ
12	4" COAX FILL ADAPTER AND CAP
13	1" SCH. 40 SUCTION PIPE
14	4" PLUGGED FITTING
15	WARRICK FT SERIES HIGH LEVEL ALARM PROBE
16	1/2" DRAIN FITTING WITH PLUG
17	DRIP PAN WITH 2" LIP
18	2" PLUGGED FITTING
19	6" INTERSTITIAL EMERGENCY VENT
20	3/4" PUMP-OUT PIPE
21	3" PIPE CAP SUMP
22	COAXIAL DROP TUBE
23	WARRICK MODEL DLP LEAK DETECTOR
24	OSHA STAIRS / PLATFORM
25	4" CHANNEL SUPPORTS



**SECTION A-A**  
SCALE : 1"=1'-0"

PIPING AND ACCESSORIES NOT SHOWN FOR CLARITY.

**ARCO-POWER**  
UNITIZED FUELER, INC.

103 SMITH-TOWN BLVD  
SMITH-TOWN, NY 11787

CLIENT:

1000 GAL  
GENERIC GASOLINE

WORK LOCATION:

REV	DATE	BY	REVISION DESCRIPTION

ALL RIGHTS RESERVED. THIS DRAWING OR ANY PART THEREOF IS NOT TO BE REPRODUCED IN ANY FORM WITHOUT THE WRITTEN PERMISSION OF ARCO-POWER UNITIZED FUELER, INC.

DWG NO: SC1000G-B  
SCALE: 1"=2'-6" DWN BY: JF  
SHEET: 1 OF 1 DATE: 10/96