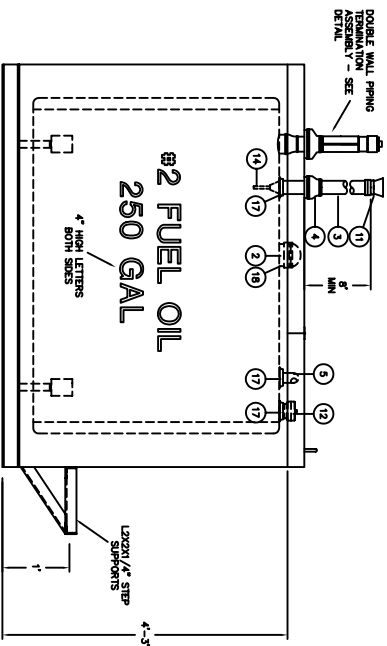
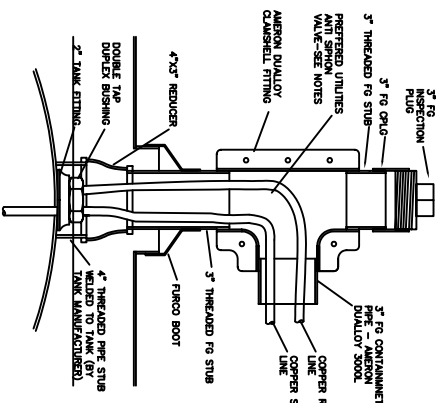


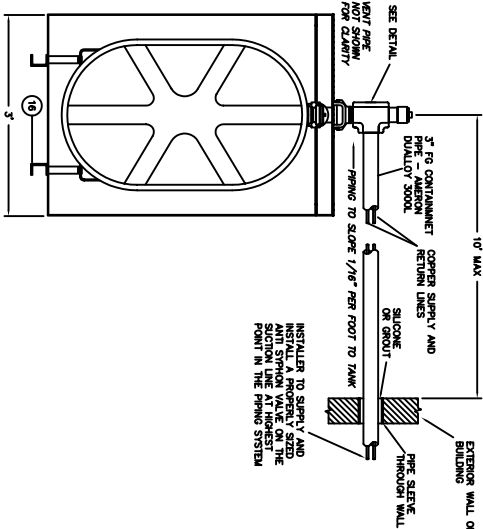
260 GAL FUEL OIL TANK - PLAN  
SCALE: 1"=2'-0"



260 GAL FUEL OIL TANK - ELEVATION  
SCALE: 1"=2'-0"



DW PIPING TERMINATION DETAIL  
SCALE: NONE



DW PIPING TERMINATION DETAIL  
SCALE: NONE

ITEM	DESCRIPTION
1	4"-8 OZ. EMERGENCY VENT - SHIP LOOSE
2	2" VENT PIPE - 4' LONG
3	FIBRO REDUCING BOOT
4	2" LEVEL GAUGE - SMALL GOLDEN GAUGE
5	
6	
7	
8	
9	
10	
11	OPW 2" ALUMINUM NORMAL VENT CAP
12	2" FILL ADAPTER AND CAP
13	
14	2" VENT WHISTLE
15	
16	
17	3" CHANNEL RAILS (2)
18	2" FLAT FITTING
19	4" PIPE STUB T.O.E.

**NOTES:**

1. PRIMARY TANK HEAD - 12 GA. STEEL MINIMUM TO GA.
2. MATERIAL - MILD CARBON STEEL.
3. FACTORY TEST AT 5-7 PSIG.
4. EXTERIOR UNIT UL LISTED AND IS FOR OUTSIDE USE.
5. EXTERIOR FINISH - SSPC-SP7 BRUSH OFF BLAST CLEANING & MILD PLYMATIC 101 WHITE ENAMEL.
6. ALL DIMENSIONS ARE APPROXIMATE.
7. CONTAINMENT CAPACITY 3150K.
8. PRIMARY TANK SHELL AND HEAD WELDS TO BE AS SPECIFIED IN UL142.
9. ANY JOINT NOT DETAILED SHALL BE A CONTINUOUS FULL FILED WELD.
10. A 5' WIDE X 8' LONG X 8" THICK CONCRETE PAD REINFORCED WITH 608 10-10 BARS MUST BE PROVIDED. THE BOLLARDS MUST BE PROTECTED BY RUBRIC BOLLARDS. THE BOLLARDS MUST BE MADE OF SCHED STEEL PIPE CONCRETE FILLED AND SET IN SET IN CONCRETE FOOTINGS. THE BOLLARDS SHALL BE A MINIMUM OF 4' ABOVE GRADE. BOLLARDS SHALL BE PLACED NO MORE THAN 4' APART.

**AREO-POWER**  
UNITIZED FUELER, INC.  
103 SMITHTON BLVD  
SMITHTON, NY 11787

DRAWING: 260 GAL GENERIC  
FUEL OIL TANK  
FOR SUFFOLK COUNTY

REV	DATE	BY	REVISION DESCRIPTION

DWG NO: SC350F0B  
SCALE: NOTED  
SHEET: 1 OF 1  
DATE: 5/98

DWG BY: JF  
DATE: 5/98

ALL RIGHTS RESERVED. THIS DRAWING OR ANY PART THEREOF IS NOT TO BE REPRODUCED IN ANY FORM WITHOUT WRITTEN PERMISSION OF AREO-POWER UNITIZED FUELER, INC.