

All rights reserved. This drawing or any part thereof must not be reproduced in any form without the written permission of Areo-Power Unitized Fueler, Inc.

SCDHS APPROVAL STAMP

Approved as Noted

HM04-195R7
DEC 14 2007

KENNETH A. CLUNIE
ASST PUBLIC HEALTH ENGINEER

SPECIFICATIONS
CAPACITY - 1000 GALLONS
TANK MATERIAL - MILD CARBON STEEL
THICKNESS - INNER - 10 GAUGE
THICKNESS - OUTER - 10 GAUGE
CONSTRUCTION - ALL - LAP WELD OUTSIDE ONLY
TANK TEST - 2 PSIG
INT. FINISH - NONE
EXT. FINISH - SP6, EPOXY PRIMER, EPOXY INTERMEDIATE COAT, AND (2) COATS WHITE URETHANE PAINT
LABEL - UL 142 DOUBLE WALL OUTER TANK IS 110% CONTAINMENT

LEGEND
A 4" FILL FITTING WITH 2" INTERNAL OVERFILL PREVENTION VALVE*, QUICK CONNECT, AND DUST CAP * MORRISON MODEL #9095A ADD LABEL TO OVERFILL CONTAINER LID STATING: "WARNING! TIGHT FILL ONLY! THE FILL DEVICE WILL NOT ACCEPT A LOOSE FILL. TIGHT FILLS PREVENT OVERFILLING, SPLASH AND SPILLAGE". PAINT FOR API COLOR CODES-YELLOW HEXAGON FOR DIESEL OIL.
B 6" FITTING - 6" MALE THR'D EMERGENCY VENT EMERGENCY VENT- OPW MODEL #202
C 6" FITTING MOUNTED IN INTERSTICE - MARK W/ SPECIAL LABEL - SECONDARY EMERGENCY VENT EMERGENCY VENT- 246130 CFH REQUIRED MORRISON MODEL # 244M
D 2" FITTING - INTERSTITIAL MONITOR CONNECTION. 2" NPT BUSHING WITH KREUGER K-2-60 LEAK GAUGE
E EMERGENCY VENT DEFLECTOR WITH SLIP-ON LID - BODY SIZE - 14" WIDE X 24" LONG X 11" HIGH LID IS SLIP FIT TO ALLOW PRESSURE TO VENT
F 6" MALE NPT WITH 4" PROJECTION WITH 2 CROSS BARS - MOUNTED IN OUTER SHELL AT TOP - CHAMBER OVERFLOW TO INTERSTICE WITH CROSSBAR
G 2" FITTING WITH 4" X 2" HIGH PIPE STUB WELDED AROUND FITTING
H 8 GALLON WELDED OVERFILL WITH 1" OVERFLOW PIPE C/W API YELLOW HEXAGON
J BOLT TO TANK STYLE STEPS AND HANDRAIL
K 2" FITTING - WITH 2" KREUGER GAUGE
L 2" FITTING WITH 2" VENT WHISTLE AND OPW 2" ALUMINUM NORMAL VENT CAP AND EXTENSION PIPE
M AREO MODEL 1701, 18 GPM PUMP WITH METER WITH OPW "SAFEBREAK" WITH STRAIGHTENING HOSE, 3/4" HUSKY AUTO NOZZLE, AND 1" SCH 40 INTERNAL SUCTION PIPE
N L3 X 3 X 3/8" THICK GROUNDING LUG WITH 3/8" HOLE ON CL OF PROJECTING LEG
P 2" FITTING WITH 10" HIGH PIPE AND 2" OPW ALUMINUM NORMAL VENT CAP

GENERAL NOTES

THE APPROVAL OF PLANS AND ISSUANCE OF PERMIT TO CONSTRUCT HAZARDOUS MATERIALS STORAGE FACILITY PROPOSES COMPLIANCE WITH ARTICLE 12 OF THE SUFFOLK COUNTY SANITARY CODE ONLY. IT IS THE OWNERS AND/OR HIS AGENTS RESPONSIBILITY TO ENSURE THAT ALL OTHER APPLICABLE CODES AND REGULATIONS WILL BE MET PRIOR TO, DURING AND AFTER INSTALLATION

THE STORAGE FACILITY INSTALLING CONTRACTOR IS STRICTLY PROHIBITED FROM SUBSTITUTING EQUIPMENT LISTED IN THE DRAWINGS

CONTAINMENT VOLUME REQUIRED =
1000 X 110% = 1100 GALLONS
CONTAINMENT PROVIDED =
(135" L X 60.5 H X 32.5 W) / 231 = 1149 GALLONS

THE SYSTEM MUST BE INSTALLED IN STRICT ACCORDANCE WITH ALL APPLICABLE REGULATIONS INCLUDING, BUT NOT LIMITED TO, THE NEW YORK STATE UNIFORM FIRE PREVENTION AND BUILDING CODE, ARTICLE 12 OF THE SUFFOLK COUNTY SANITARY CODE, AND ALL LOCAL BUILDING AND PLUMBING DEPARTMENT ORDINANCES

ALL WORK IS TO BE IN STRICT ACCORDANCE WITH APPLICABLE NATIONAL FIRE PREVENTION ASSOCIATION RECOMMENDATIONS. GROUNDING OF THE CONTAINMENT UNIT AND /OR ITS CONTENTS MAY BE REQUIRED

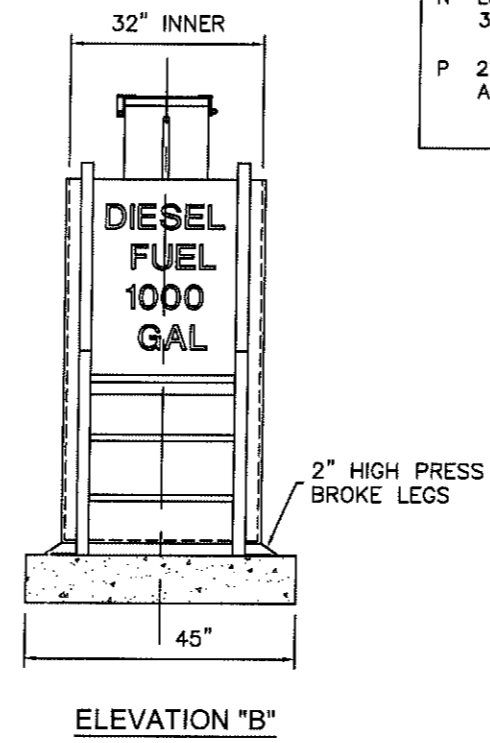
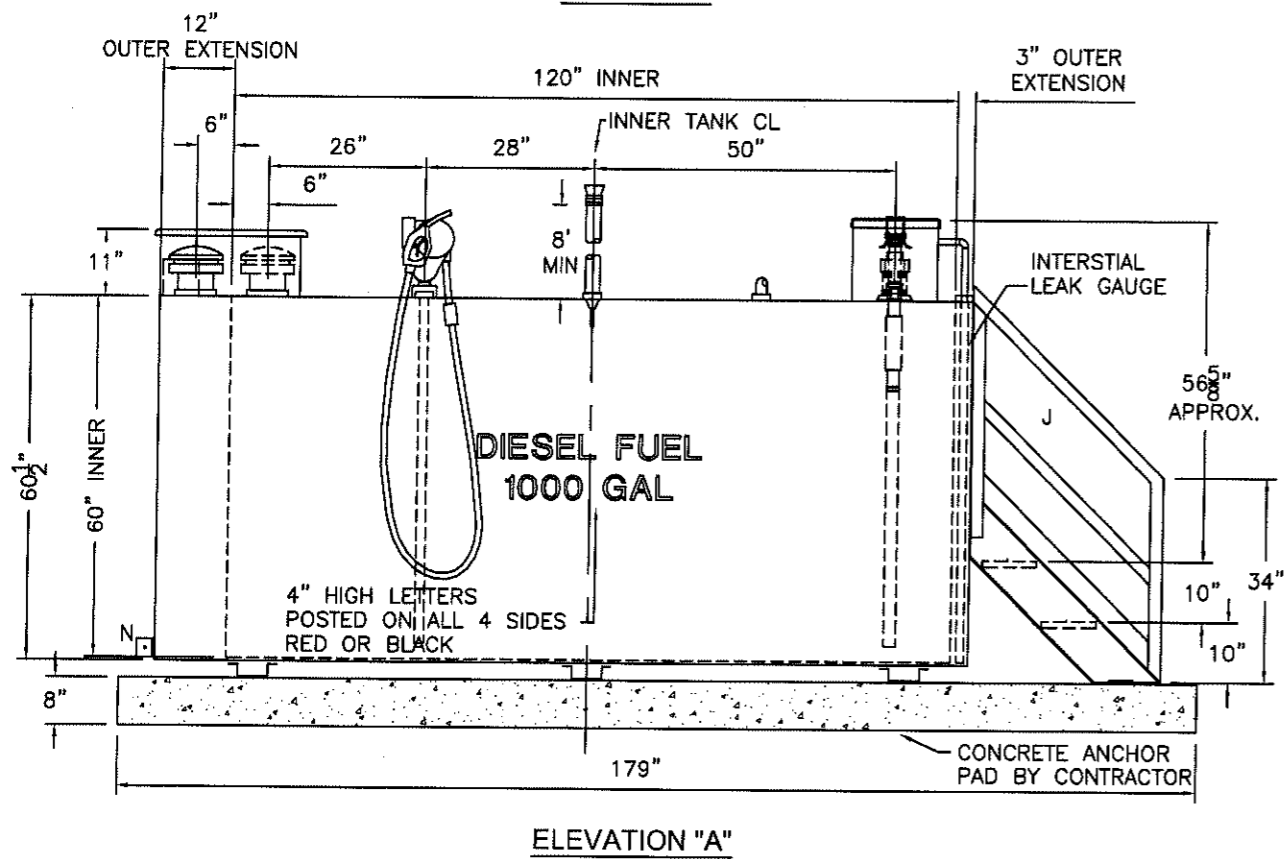
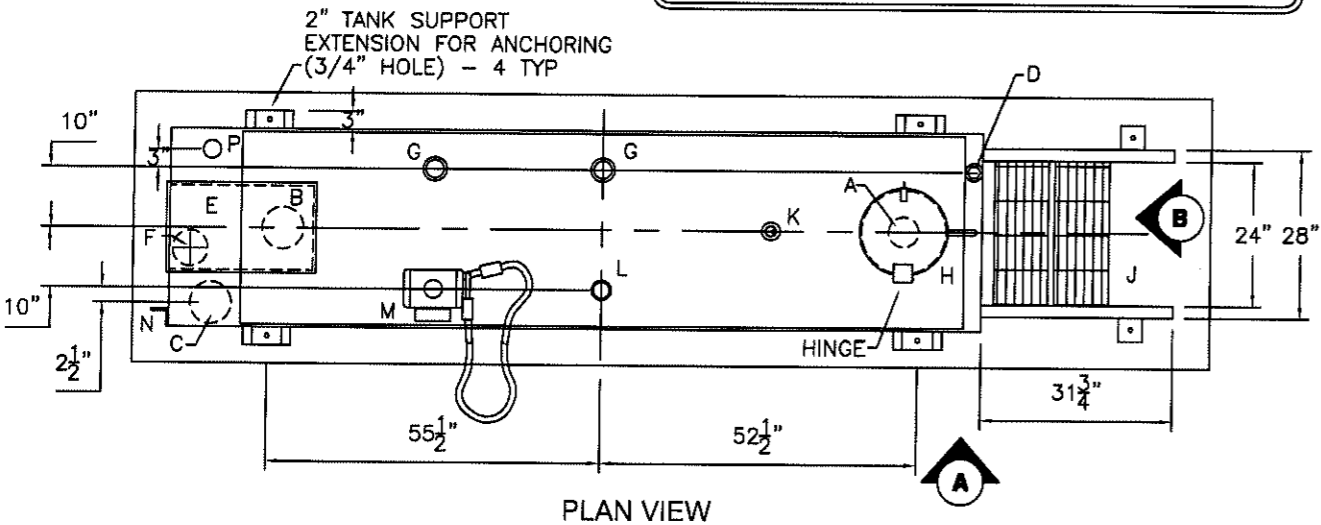
ALL WORK IS TO BE IN STRICT CONFORMANCE WITH APPLICABLE NATIONAL ELECTRICAL CODE SPECIFICATIONS AND REQUIREMENTS

THE FACILITY OWNER SHALL BE RESPONSIBLE FOR ENSURING THAT ALL REQUIRED PERMITS FOR INSTALLATION OF THE UNIT HAVE BEEN SECURED

STORAGE UNITS LOCATED IN TRAFFIC AREAS MUST BE PROTECTED BY TRAFFIC BOLLARDS. THE BOLLARDS MUST BE MADE OF SCHEDULE 80 PIPE, CONCRETE FILLED, AND SET IN THE GROUND TO A DEPTH OF 4 FEET. THE BOLLARDS WILL BE SET IN CONCRETE FOOTINGS. THE BOLLARDS SHALL BE A MINIMUM OF 4 FEET ABOVE GRADE. BOLLARDSSHALL BE SPACED NO MORE THAN 4 FEET APART. THE DIAMETER OF THE STEEL PIPE SHALL DEPEND ON THE TYPE OF TRAFFIC LIKELY TO BE PRESENT.

STORAGE UNITS LOCATED IN FLOOD PLAINS MUST BE SECURED TO THE GROUND. THE TANK HAS TO BE SECURED TO THE SECONDARY CONTAINMENT.

ALL PIPING INSTALLED ON THIS UNIT MUST BE PAINTED TO PREVENT UV DEGRADATION OF THE PIPING



3	ADD COLOR CODING NOTES; CROSS BARS @ OVERFLOW PORT; MONITORING STICK @ INTERSTITIAL PORT; RE-ARRANGE SHEET.	8/9/07	-
AREO-POWER ® PATENT NUMBER 5346093			
1000 GAL DW RECTANGULAR TANK			
CUSTOMER: -		SC1000D-REC	
PROJECT: DIESEL FUEL			
QUOTE: -			
SCALE 3/8" = 12"	DATE 7/1/04	DRAWN BY 001	DRAWING NUMBER 1000DIESEL