

SCDHS APPROVAL STAMP

SUFFOLK COUNTY DEPARTMENT OF HEALTH SERVICES
BUREAU OF ENVIRONMENTAL ENGINEERING

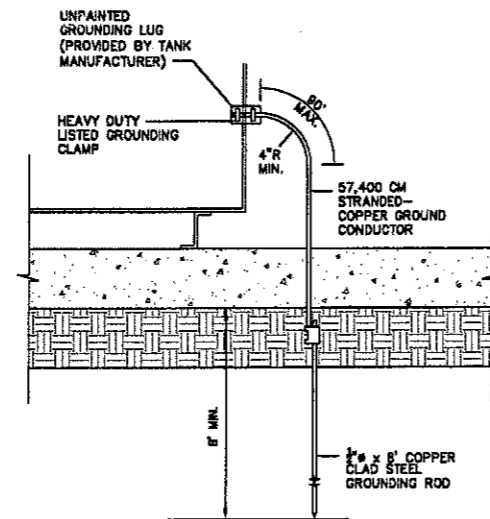
APPROVAL TO CONSTRUCT SCDHS JOB NO. H408-075624

These plans and specification have been reviewed and found to be in compliance with Suffolk County Sanitary Code requirements based upon information submitted by the applicant. This approval to construct expires on 8-24-10

Expiration Date

8-24-10
APPROVAL DATE

Kumtha Clumie
REVIEW ENGINEER



TANK GROUNDING DETAIL

SPECIFICATIONS	
CAPACITY - 1000 GALLONS	
TANK MATERIAL - MILD CARBON STEEL	
THICKNESS - INNER - 10 GAUGE	
THICKNESS - OUTER - 10 GAUGE	
CONSTRUCTION - ALL - LAP WELD OUTSIDE ONLY	
TANK TEST - 2 PSIG	
INT. FINISH - NONE	
EXT. FINISH - SP8, EPOXY PRIMER, EPOXY INTERMEDIATE COAT, AND (2) COATS WHITE URETHANE PAINT	
LABEL - UL 142 DOUBLE WALL OUTER TANK PROVIDES 110% CONTAINMENT	

LEGEND	
A	4" FILL FITTING WITH 2" INTERNAL OVERFILL PREVENTION VALVE*, QUICK CONNECT, AND DUST CAP * MORRISON MODEL #9095A ADD LABEL TO OVERFILL CONTAINER LID STATING: "WARNING! TIGHT FILL ONLY! THE FILL DEVICE WILL NOT ACCEPT A LOOSE FILL. TIGHT FILLS PREVENT OVERFILLING, SPLASH AND SPILLAGE". PAINT FOR API COLOR CODES-FOR GASOLINE
B	6" FITTING - 6" MALE THR'D EMERGENCY VENT OPW 202 (335,000 CFH REQUIRED/ 335,000 CFH PROVIDED)
C	6" MALE NPT FITTING MOUNTED IN INTERSTICE - MARK W/ SPECIAL LABEL - SECONDARY EMERGENCY VENT MORRISON MODEL #244-M-0200AV (181,000 CFH REQUIRED/ 246,000 CFH PROVIDED)
D	2" FITTING - INTERSTITIAL MONITOR CONNECTION. KRUEGER LEAK GAUGE #K-2-80 W/ GAUGE GUARD CAP.
E	EMERGENCY VENT DEFLECTOR WITH SLIP-ON LID - BODY SIZE - 14" WIDE X 24" LONG X 11" HIGH LID IS SLIP FIT TO ALLOW PRESSURE TO VENT
F	6" MALE NPT WITH 4" PROJECTION WITH 2 CROSS BARS - MOUNTED IN OUTER SHELL AT TOP - CHAMBER OVERFLOW TO INTERSTICE
G	2" FITTING WITH 4" X 2" HIGH PIPE STUB WELDED AROUND FITTING (SPARE-INSTALL PLUG)
H	8 GALLON WELDED OVERFILL CONTAINMENT BOX WITH 1" OVERFLOW PIPE TO SECONDARY SPACE
I	2" FITTING W/ OMNTEC LU-1 LEAK DETECTION/ OVERFILL ALARM PANEL W/ L-SERIES SENSOR MOUNTED TO 36" HIGH STEEL RISER W/ PROBE WIRE CAP
J	STEEL STEPS AND HANDRAIL (BOLT TO TANK STYLE)
K	2" FITTING MANUAL TANK GAUGE - KRUEGER AT-A-GLANCE DIRECT READ GAUGE W/ STAINLESS STEEL FLOAT AND GAUGE GUARD CAP
L	3" FITTING FOR PRIMARY VENT AND STAGE I V/R CONNECTIONS
M	AREO MODEL 1701, 18 GPM PUMP WITH METER WITH OPW "SAFEBREAK" WITH STRAIGHTENING HOSE, 3/4" HUSKY AUTO NOZZLE, AND 1" SCH 40 INTERNAL SUCTION PIPE
N	L3 X 3 X 3/8" THICK GROUNDING LUG WITH 3/8" HOLE ON CL OF PROJECTING LEG
O	2" FITTING INTERSTICE WITH 10" HIGH PIPE AND 2" OPW ALUMINUM NORMAL VENT CAP

GENERAL NOTES

THE APPROVAL OF PLANS AND ISSUANCE OF PERMIT TO CONSTRUCT HAZARDOUS MATERIALS STORAGE FACILITY PROPOSES COMPLIANCE WITH ARTICLE 12 OF THE SUFFOLK COUNTY SANITARY CODE ONLY. IT IS THE OWNERS AND/OR HIS AGENTS RESPONSIBILITY TO ENSURE THAT ALL OTHER APPLICABLE CODES AND REGULATIONS WILL BE MET PRIOR TO, DURING AND AFTER INSTALLATION

THE STORAGE FACILITY INSTALLING CONTRACTOR IS STRICTLY PROHIBITED FROM SUBSTITUTING EQUIPMENT LISTED IN THE DRAWINGS

CONTAINMENT VOLUME REQUIRED = 1000 X 110% = 1100 GALLONS
CONTAINMENT PROVIDED = (135" L X 60.5 H X 32.5 W) / 231 = 1149 GALLONS

THE SYSTEM MUST BE INSTALLED IN STRICT ACCORDANCE WITH ALL APPLICABLE REGULATIONS INCLUDING, BUT NOT LIMITED TO, THE NEW YORK STATE UNIFORM FIRE PREVENTION AND BUILDING CODE, ARTICLE 12 OF THE SUFFOLK COUNTY SANITARY CODE, AND ALL LOCAL BUILDING AND PLUMBING DEPARTMENT ORDINANCES

ALL WORK IS TO BE IN STRICT ACCORDANCE WITH APPLICABLE NATIONAL FIRE PREVENTION ASSOCIATION RECOMMENDATIONS. GROUNDING OF THE CONTAINMENT UNIT AND /OR ITS CONTENTS MAY BE REQUIRED

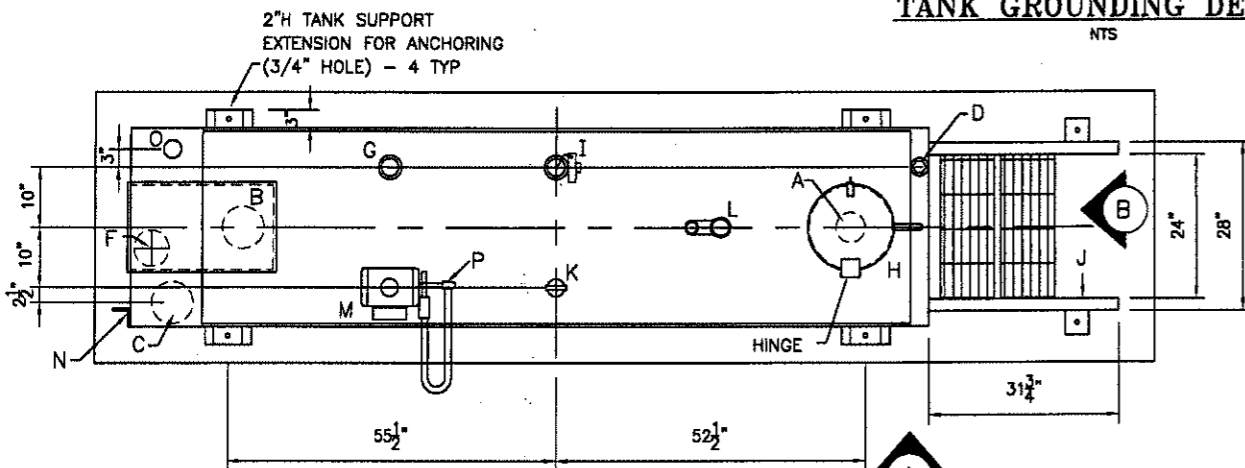
ALL WORK IS TO BE IN STRICT CONFORMANCE WITH APPLICABLE NATIONAL ELECTRICAL CODE SPECIFICATIONS AND REQUIREMENTS

THE FACILITY OWNER SHALL BE RESPONSIBLE FOR ENSURING THAT ALL REQUIRED PERMITS FOR INSTALLATION OF THE UNIT HAVE BEEN SECURED

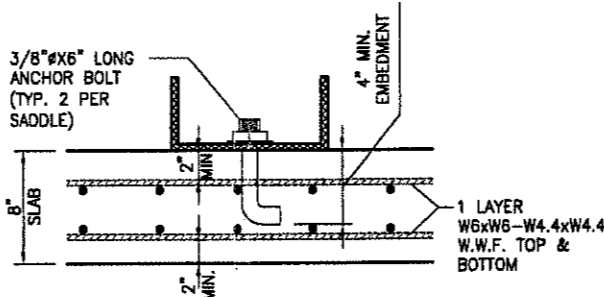
STORAGE UNITS LOCATED IN TRAFFIC AREAS MUST BE PROTECTED BY TRAFFIC BOLLARDS. THE BOLLARDS MUST BE MADE OF SCHEDULE 80 PIPE, CONCRETE FILLED, AND SET IN THE GROUND TO A DEPTH OF 4 FEET. THE BOLLARDS WILL BE SET IN CONCRETE FOOTINGS. THE BOLLARDS SHALL BE A MINIMUM OF 4 FEET ABOVE GRADE. BOLLARDS SHALL BE SPACED NO MORE THAN 4 FEET APART. THE DIAMETER OF THE STEEL PIPE SHALL DEPEND ON THE TYPE OF TRAFFIC LIKELY TO BE PRESENT.

STORAGE UNITS LOCATED IN FLOOD PLAINS MUST BE SECURED TO THE GROUND. THE TANK HAS TO BE SECURED TO THE SECONDARY CONTAINMENT.

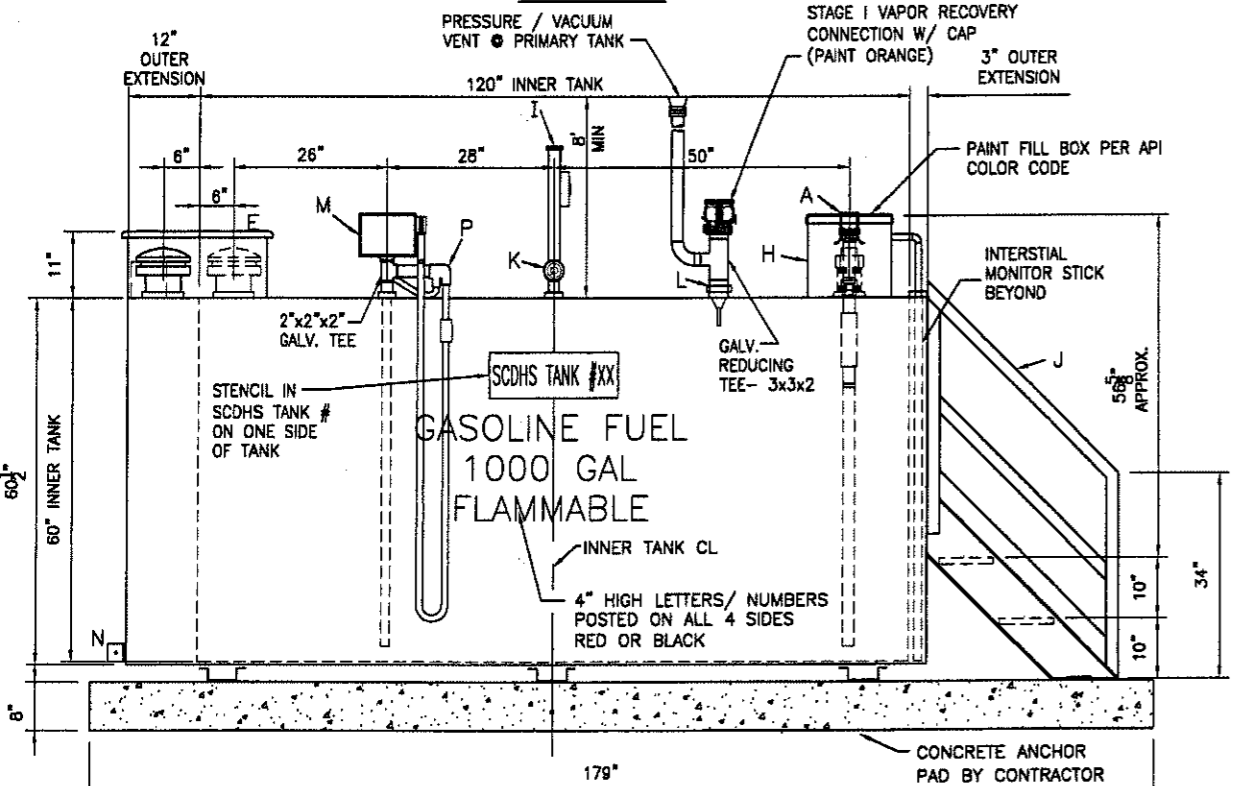
ALL PIPING INSTALLED ON THIS UNIT MUST BE PAINTED TO PREVENT UV DEGRADATION.



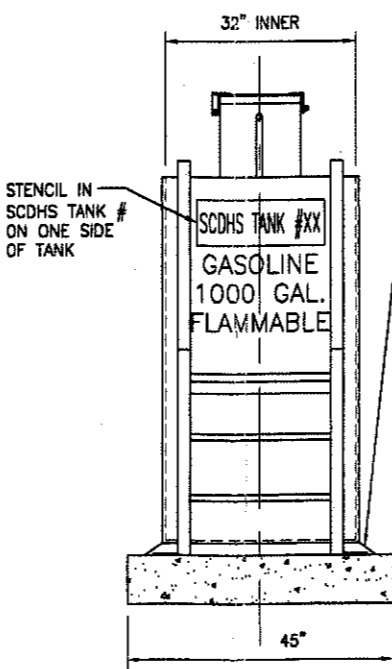
PLAN VIEW



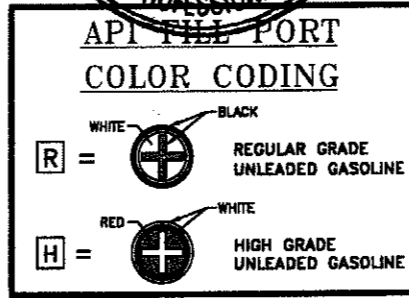
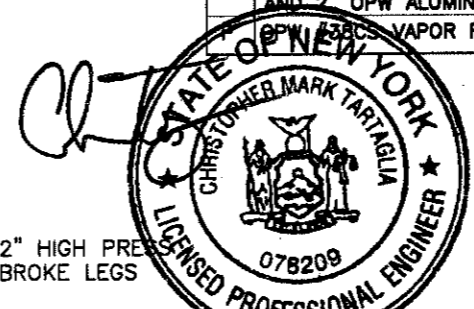
SLAB/ ANCHORING DETAIL



ELEVATION "A"



ELEVATION "B"



All rights reserved. This drawing or any part thereof must not be reproduced in any form without the written permission of Areo-Power Unitized Fuels, Inc

4	PER SCDHS COMMENTS	5/13/10
3	PER SCDHS COMMENTS	3/10/10
2	PER SCDHS COMMENTS	12/31/08
1	PER SCDHS COMMENTS	5/27/08

AREO-POWER PATENT NUMBER 5346093

1000 GAL DW RECTANGULAR TANK

CUSTOMER: - PROJECT: GASOLINE QUOTE: -

GENERIC TANK #SC1000G-REC

SCALE 3/8" = 1'-0"	DATE 7/1/04	DRAWN BY 001	DRAWING NUMBER HPE# BENI07-01-1000 TANK
			1000GASOLINE