

# SCDHS APPROVAL STAMP

SUFFOLK COUNTY DEPARTMENT OF HEALTH SERVICES  
BUREAU OF ENVIRONMENTAL ENGINEERING

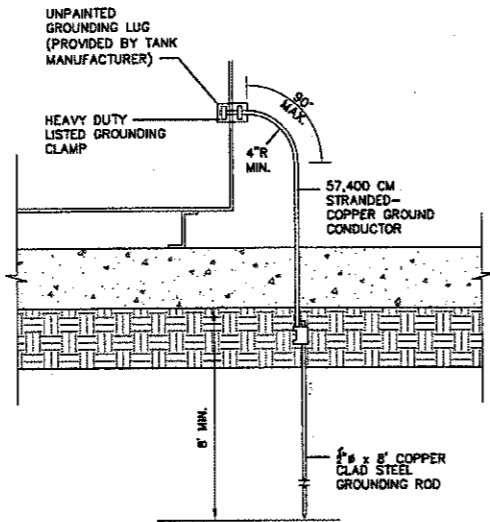
APPROVAL TO CONSTRUCT SCDHS JOB NO. Hm08-0356R3

These plans and specification have been reviewed and found to be in compliance with Suffolk County Sanitary Code requirements based upon information submitted by the applicant. This approval to construct expires on 5/12/10

Expiration Date

5/12/10  
APPROVAL DATE

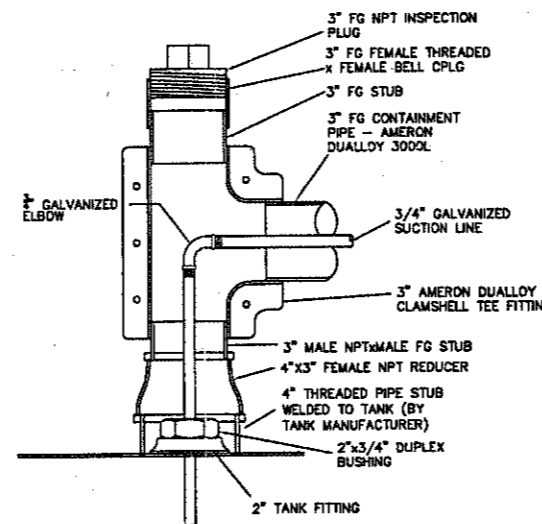
Kenneth A. Lewis  
REVIEW ENGINEER



TANK GROUNDING DETAIL

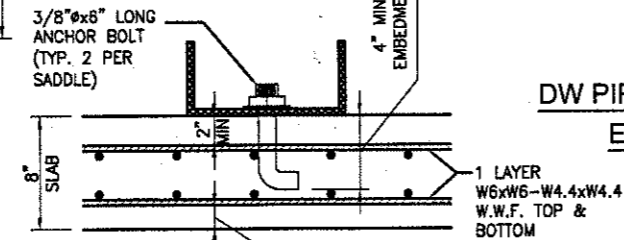
SPECIFICATIONS	
CAPACITY	300 GALLONS
TANK MATERIAL	MILD CARBON STEEL
THICKNESS - INNER	12 GAUGE
THICKNESS - OUTER	12 GAUGE
CONSTRUCTION	ALL - LAP WELD OUTSIDE ONLY
TANK TEST	2 PSIG
INT. FINISH	NONE
EXT. FINISH	SP6, EPOXY PRIMER, EPOXY INTERMEDIATE COAT, AND (2) COATS WHITE URETHANE PAINT
LABEL	UL 142 DOUBLE WALL OUTER TANK PROVIDES 110% CONTAINMENT

LEGEND	
A	4" FILL FITTING WITH 2" INTERNAL OVERFILL PREVENTION VALVE*, QUICK CONNECT, AND DUST CAP FRANKLIN FUELING MODEL: 709-420-01 ADD LABEL TO OVERFILL CONTAINER LID STATING: "WARNING! TIGHT FILL ONLY! THE FILL DEVICE WILL NOT ACCEPT A LOOSE FILL. TIGHT FILLS PREVENT OVERFILLING, SPLASH AND SPILLAGE", PAINT FOR API COLOR CODES-SILVER HEXAGON FOR VIRGIN MOTOR OIL
B	6" FITTING - 6" MALE THR'D EMERGENCY VENT MORRISON #2440M-200AV (150,000 CFH REQUIRED/ 246,130 CFH PROVIDED)
C	4" FITTING MOUNTED IN INTERSTICE - MARK W/ SPECIAL LABEL - SECONDARY EMERGENCY VENT MORRISON #244-M-0100AV (68,100 CFH REQUIRED/ 119,750 CFH PROVIDED)
D	2" FITTING - INTERSTITIAL MONITOR CONNECTION. 2" NPT BUSHING WITH KREUGER K-2-60 LEAK GAUGE
E	EMERGENCY VENT DEFLECTOR WITH SLIP-ON LID - BODY SIZE - 14" WIDE X 24" LONG X 11" HIGH LID IS SLIP FIT TO ALLOW PRESSURE TO VENT
F	4" MALE NPT WITH 4" PROJECTION WITH 2 CROSS BARS - MOUNTED IN OUTER SHELL AT TOP - CHAMBER OVERFLOW TO INTERSTICE WITH CROSSBAR
G	2" FITTING WITH 4" X 2" HIGH PIPE STUB WELDED AROUND FITTING. INSTALL DOUBLE WALL PIPING TERMINATION ASSEMBLY PER DETAIL FOR EXTERIOR TANK INSTALLATIONS.
I	2" FITTING @ INTERSTICE WITH 10" HIGH PIPE AND 2" OPW ALUMINUM NORMAL VENT CAP
H	8 GALLON WELDED OVERFILL WITH 1" OVERFLOW PIPE, PAINT PER API W/ SILVER HEXAGON
J	STEEL STEPS AND HANDRAIL (BOLT TO TANK STYLE)
K	2" FITTING - WITH 2" SCULLY GOLDEN GAUGE
L	2" FITTING WITH 2" VENT WHISTLE AND OPW 2" ALUMINUM NORMAL VENT CAP. EXTENDED TO 8' HIGH ABOVE TANK (INSTALL 2" NPT PLUG)
M	2" FITTING & 4" PIPE STUB
N	L3 X 3 X 3/8" THICK GROUNDING LUG WITH 3/8" HOLE ON CL OF PROJECTING LEG
O	2" PIPE TO WITHIN 2" OF THE TANK BOTTOM @ DRAW OFF TUBE



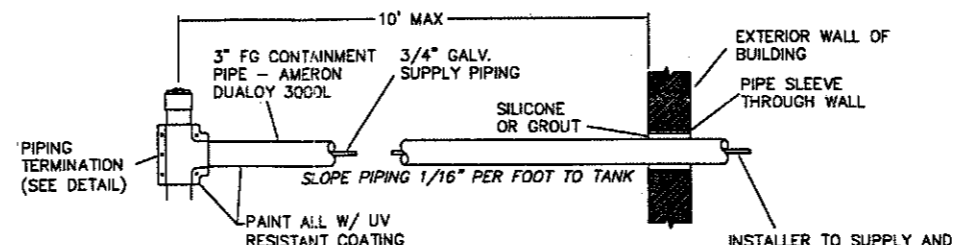
DW PIPING TERMINATION DETAIL-FOR EXTERIOR MOUNTED TANK

SCALE: NONE



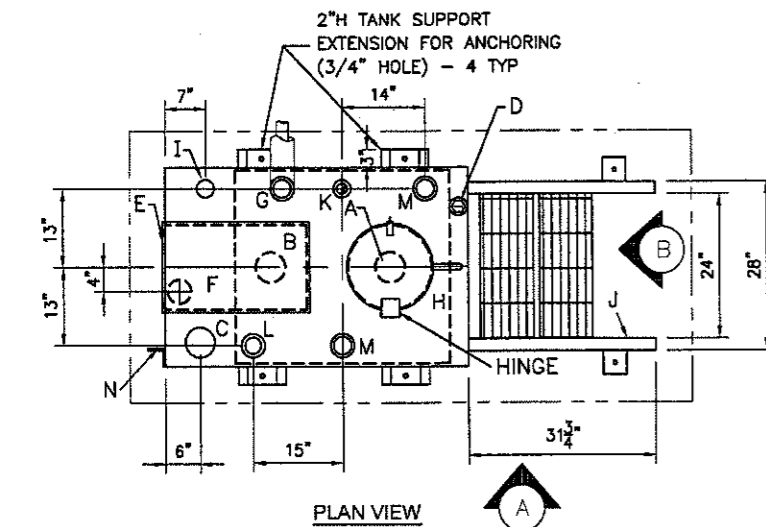
ANCHORING DETAIL

NTS

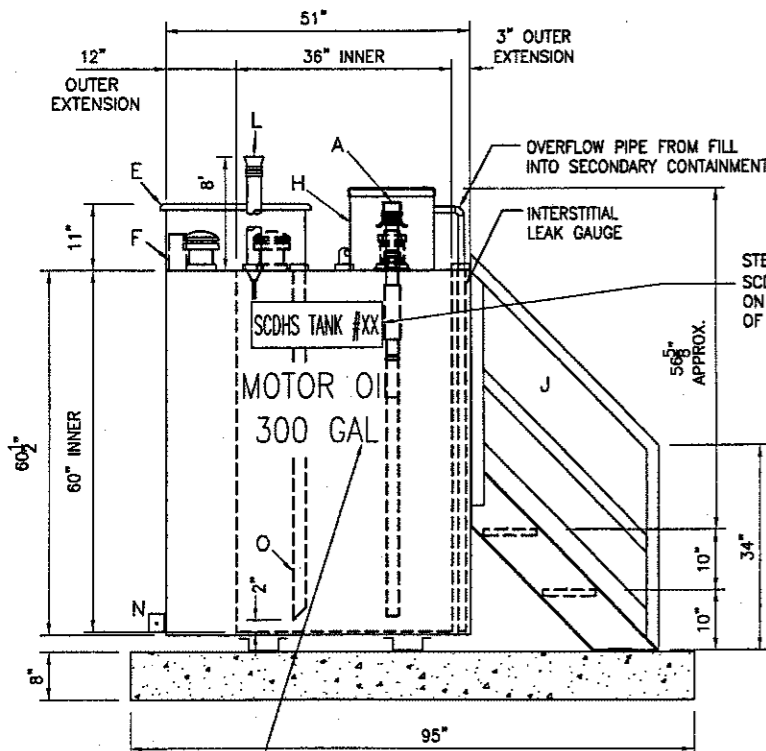


PIPING DETAIL-FOR EXTERIOR MOUNTED TANK

SCALE: NONE

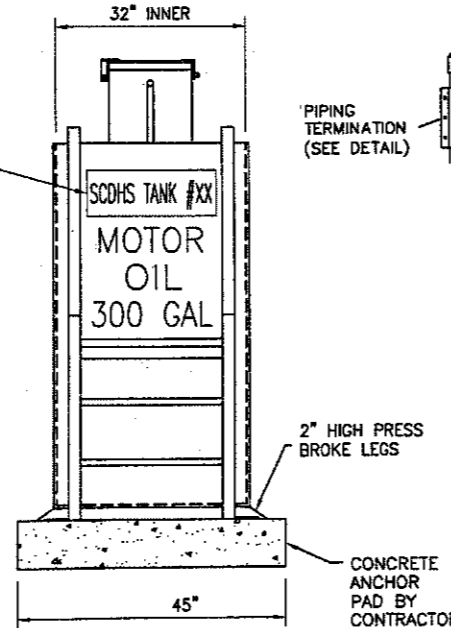


PLAN VIEW



ELEVATION "A"

STENCIL IN SCDHS TANK # ON ONE SIDE OF TANK



ELEVATION "B"

2" HIGH PRESS BROKE LEGS  
CONCRETE ANCHOR PAD BY CONTRACTOR



All rights reserved. This drawing or any part thereof must not be reproduced in any form without the written permission of Areo-Power Unitized Fueler, Inc

THE APPROVAL OF PLANS AND ISSUANCE OF PERMIT TO CONSTRUCT HAZARDOUS MATERIALS STORAGE FACILITY PROPOSES COMPLIANCE WITH ARTICLE 12 OF THE SUFFOLK COUNTY SANITARY CODE ONLY. IT IS THE OWNERS AND/OR HIS AGENTS RESPONSIBILITY TO ENSURE THAT ALL OTHER APPLICABLE CODES AND REGULATIONS WILL BE MET PRIOR TO, DURING AND AFTER INSTALLATION

THE STORAGE FACILITY INSTALLING CONTRACTOR IS STRICTLY PROHIBITED FROM SUBSTITUTING EQUIPMENT LISTED IN THE DRAWINGS

CONTAINMENT VOLUME REQUIRED = 300 X 110% = 330 GALLONS  
CONTAINMENT PROVIDED = (51' L X 60.5' H X 32.5' W) / 231 = 434 GALLONS

THE SYSTEM MUST BE INSTALLED IN STRICT ACCORDANCE WITH ALL APPLICABLE REGULATIONS INCLUDING, BUT NOT LIMITED TO, THE NEW YORK STATE UNIFORM FIRE PREVENTION AND BUILDING CODE, ARTICLE 12 OF THE SUFFOLK COUNTY SANITARY CODE NFPA 30 & 30A, AND ALL LOCAL BUILDING AND PLUMBING DEPARTMENT ORDINANCES

ALL WORK IS TO BE IN STRICT ACCORDANCE WITH APPLICABLE NATIONAL FIRE PREVENTION ASSOCIATION RECOMMENDATIONS. GROUNDING OF THE CONTAINMENT UNIT AND /OR ITS CONTENTS MAY BE REQUIRED

ALL WORK IS TO BE IN STRICT CONFORMANCE WITH APPLICABLE NATIONAL ELECTRICAL CODE SPECIFICATIONS AND REQUIREMENTS

THE FACILITY OWNER SHALL BE RESPONSIBLE FOR ENSURING THAT ALL REQUIRED PERMITS FOR INSTALLATION OF THE UNIT HAVE BEEN SECURED

STORAGE UNITS LOCATED IN TRAFFIC AREAS MUST BE PROTECTED BY TRAFFIC BOLLARDS. THE BOLLARDS MUST BE MADE OF SCHEDULE 80 PIPE, CONCRETE FILLED, AND SET IN THE GROUND TO A DEPTH OF 4 FEET. THE BOLLARDS WILL BE SET IN CONCRETE FOOTINGS. THE BOLLARDS SHALL BE A MINIMUM OF 4 FEET ABOVE GRADE. BOLLARDS SHALL BE SPACED NO MORE THAN 4 FEET APART. THE DIAMETER OF THE STEEL PIPE SHALL DEPEND ON THE TYPE OF TRAFFIC LIKELY TO BE PRESENT.

STORAGE UNITS LOCATED IN FLOOD PLAINS MUST BE ANCHORED TO A CONCRETE PAD. THE TANK HAS TO BE SECURED TO THE SECONDARY CONTAINMENT.

ALL PIPING INSTALLED ON THIS UNIT MUST BE PAINTED TO PREVENT UV DEGRADATION.

3	PER SCDHS COMMENTS	3/10/10
2	PER SCDHS COMMENTS	12/31/08
1	PER SCDHS COMMENTS	5/27/08

**AREO-POWER**®  
PATENT NUMBER 5346093

300 GAL DW RECTANGULAR TANK

CUSTOMER: -  
PROJECT: VIRGIN MOTOR OIL  
QUOTE: -  
GENERIC TANK #SC300MO-REC

DRAWING NUMBER HPE# BEN07-01-300 TANK  
**300DWREC**

SCALE 3/8" = 1'  
DATE 1/30/08  
DRAWN BY 003