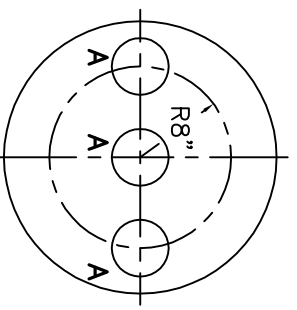
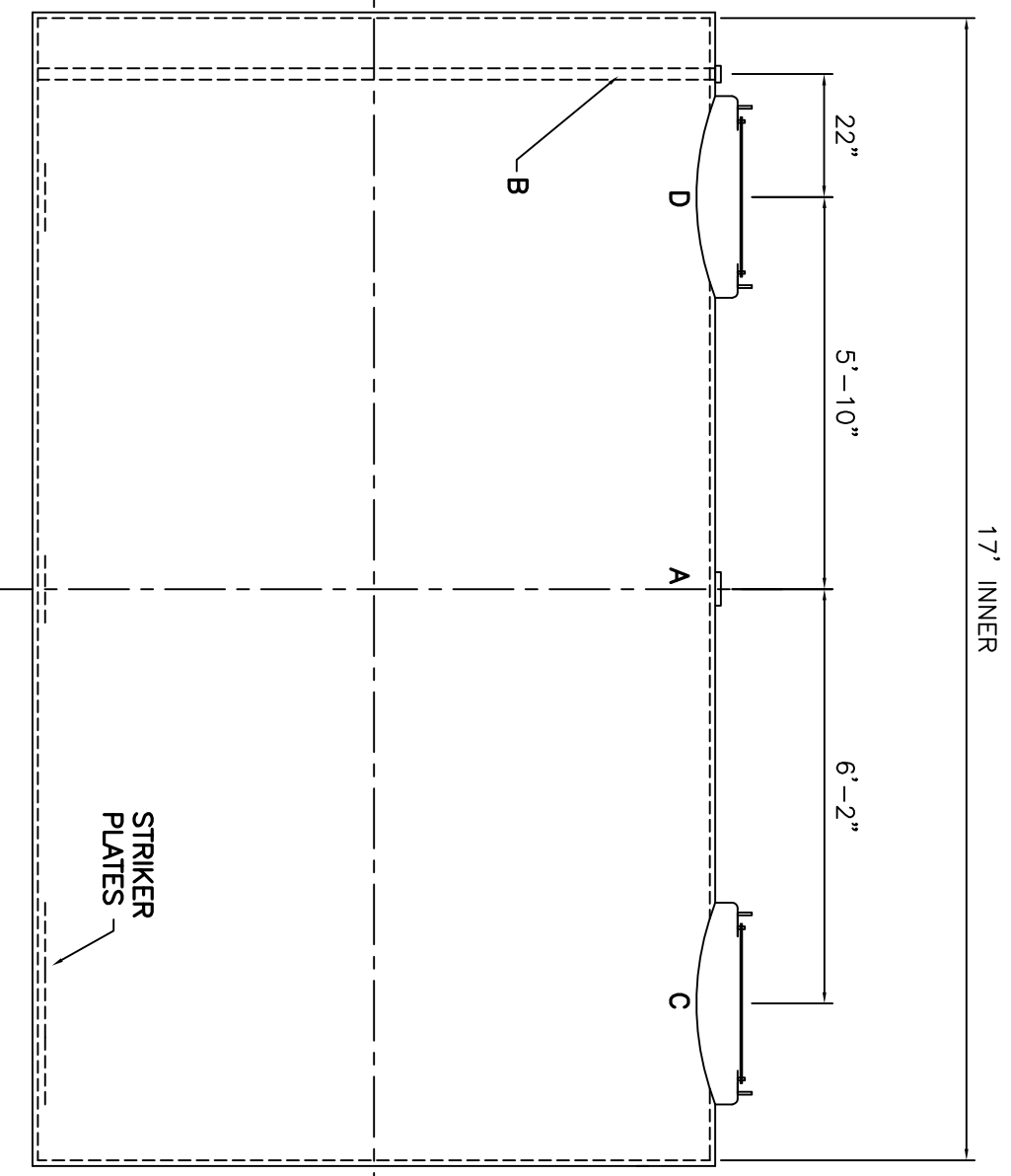
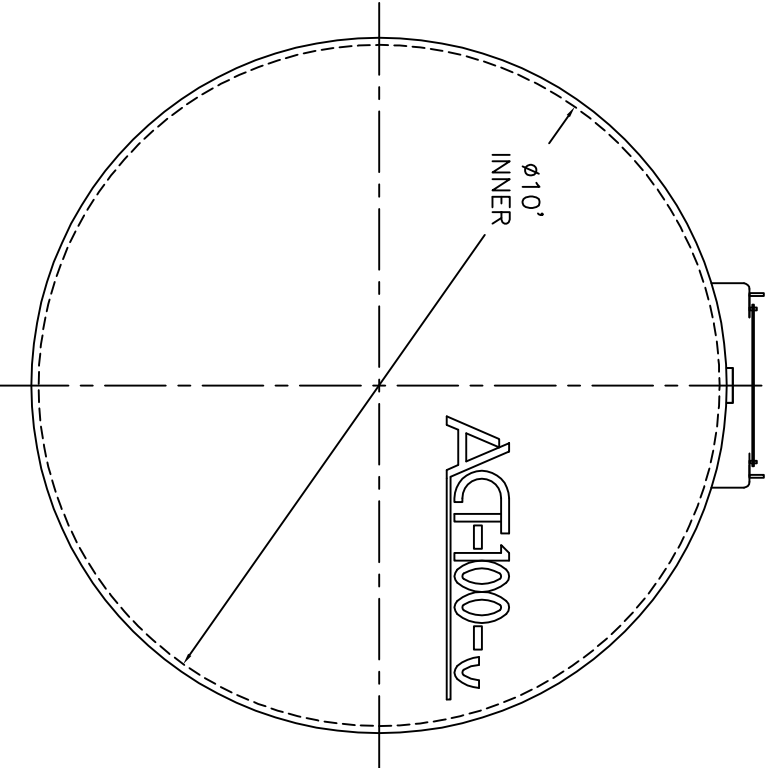
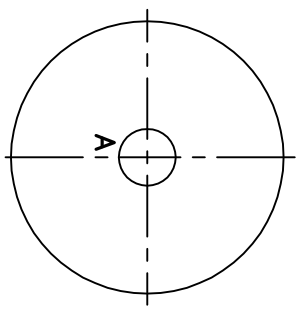


NOTE: ALL RIGHTS RESERVED. THIS DRAWING MUST NOT BE REPRODUCED IN ANY FORM WITHOUT THE WRITTEN PERMISSION OF AREO-POWER. AREO-POWER SHALL BE RESPONSIBLE ONLY FOR ITEMS INDICATED ON THIS FABRICATION DRAWING UNLESS OTHERWISE NOTED. CUSTOMER IS RESPONSIBLE FOR VERIFYING CORRECTNESS OF SIZE AND LOCATION OF FITTINGS, ACCESSORIES, AND COATINGS SHOWN ON THIS DRAWING.



LID DETAIL C



LID DETAIL D

SPECIFICATIONS

CAPACITY – 10,000 GALLONS
TANK MATERIAL – MILD CARBON STEEL
THICKNESS – INNER – HEADS – 1/4" SHELL – .225"
THICKNESS – OUTER – HEADS – 1/4" SHELL – 10 GA
CONSTRUCTION – INNER – LAP WELD OUTSIDE ONLY
CONSTRUCTION – OUTER – LAP WELD OUTSIDE ONLY
TANK TEST – INNER – 5 PSIG
TANK TEST – OUTER – 2 PSIG AND FULL VACUUM
INT. FINISH – NONE
EXT. FINISH – SP6 BLAST, 70 MILS URETHANE COATING
PER sti SPEC. FACTORY SPARK TEST INCLUDED
LABEL – UL 58 & ACT-100-U DOUBLE WALL 360° TYPE I

FITTING LEGEND

A	5" FITTING WITH 5" X 4" DIELECTRIC BUSHING
B	3" FITTING WITH 3" X 2" DIELECTRIC BUSHING 2" INTERNAL INTERSTITIAL MONITOR PIPE
C	24" DOUBLE RING MANWAY WITH FITTINGS PER DETAIL
D	24" DOUBLE RING MANWAY WITH FITTINGS PER DETAIL
E	–
F	–

<p>AREO-POWER [®]</p>			
<p>10,000 GAL 10'Ø DW ACT-100-U</p>			
<p>CUSTOMER: –</p> <p>PROJECT: –</p> <p>QUOTE: –</p>			
SCALE	DATE	DRAWN BY	DWG. NO.
3/8" = 12"	6/03/01	XXX	APAUDW10K10